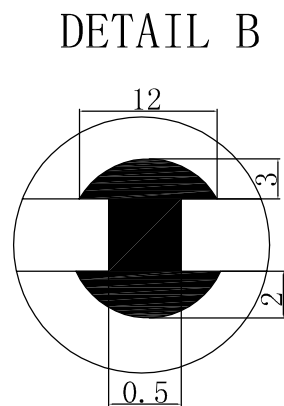
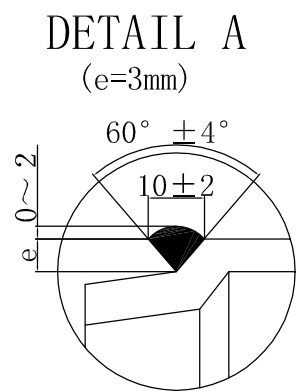


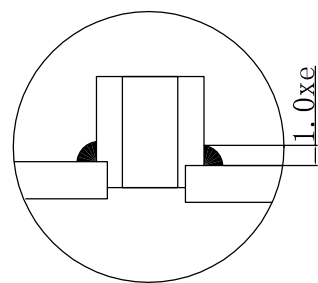
注：手柄焊接在桶上

5	MANICOTTO	3/4" GAS L=16
4	MANICOTTO	3/8" GAS L=16
3	MANICOTTO	1/4" GAS L=12
2	MANICOTTO	1/2" GAS L=16
1	MANICOTTO	1 1/2" GAS L=16
POSDESCRIZIONE		DIMENSION

COLOR:RAL3020



DETAIL WELDING
OF CONNECTION



				RUGOSITÀ Ra um		()		NOT INDIC. CHAMFER					
				HEAT/SUPERFICIAL TREATMENT				HARDNESS					
N°				MODIFY DESCRIPTION				DATE		SIGN.			
REPLACE				SOSTIT				MATERIAL					
DRAWN		DATE		SIGN.		DIMENSION WITHOUT TOLLERANCE INDICATION				SCALE			
		15.04.10		Sardi M.									
nu air Compressors and tools S.p.A.				VALID FOR		DRAWING DESCRIPTION							
						TANK 50 CAR B28/38 AUSTR. RAW							
This drawing is propriety of NU AIR Compressors and Tools S.p.A. Hand over or reproduction, partial as well, is forbidden at any level. Each abuse will be legally prosecuted						DRW.N° 9413185				MODIF.		PAGE	