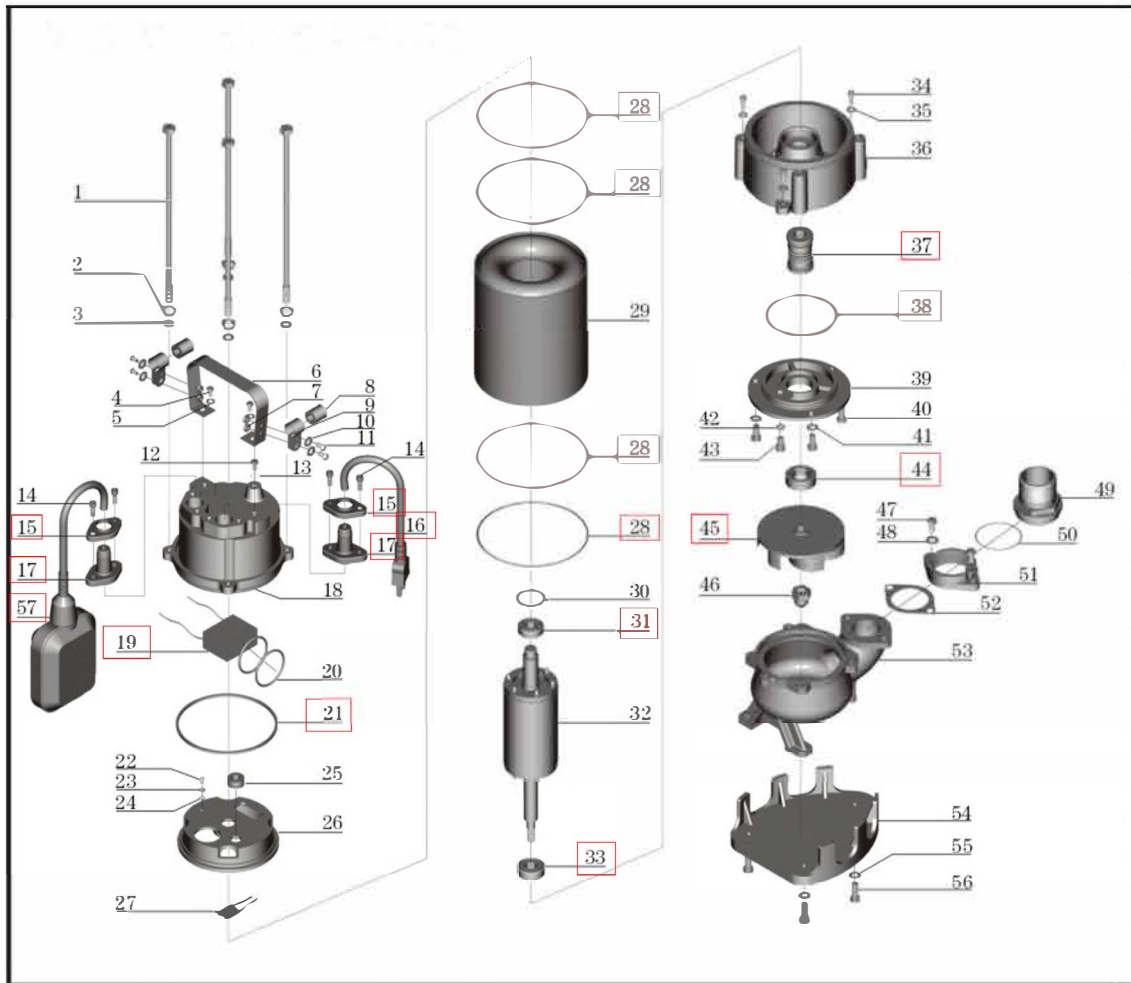


802769 - B75VAS2



NO.	DESCRIPTION	MATERIAL	NO.	DESCRIPTION	MATERIAL
1.	Bolt	11	30.	Undulated washer	1566
2.	Stretching washer	11	31.	805701 Ball bearing	
3.	Washer	11	32.	Rotor	
4.	Bolt	11	33.	805700 Ball bearing	
5.	Washer	11	34.	Screw	11
6.	Handle	11	35.	Washer	11
7.	Nut	11	36.	Connection part	No35B
8.	Protector	NR	37.	805719 Mechanical seal	Alumina/Graphite
9.	Cable presser	11	38.	806002 "O" ring	NBR
10.	Washer	11	39.	Oil chamber cover	No35B
11.	Screw	11	40.	Screw	11
12.	Bolt	11	41.	Washer	11
13.	"O" ring	NBR	42.	"O" ring	NBR
14.	Screw	11	43.	Screw	11
15.	805708 Flange	11	44.	805695 Oil seal	
16.	805706 Cable		45.	805714 Impeller	No35B
17.	805709 Cable protector	CR	46.	Nut	11
18.	Capacitor cover	No35B	47.	Bolt	11
19.	805732 Capacitor		48.	Washer	11
20.	"O" ring	NBR	49.	Out-let connector	ABS
21.	805734 Rubber washer	NBR	50.	"O" ring	NBR
22.	Screw	CuZn-40	51.	Connection nut	No35B
23.	Stretching washer	1566	52.	Rubber washer	NBR
24.	Washer	CuZn-40	53.	Pump body	No35B
25.	Line protector	NBR	54.	Base plate	No35B
26.	Motor cover	No35B	55.	Washer	11
27.	Thermal protector		56.	Screw	11
28.	805729 "O" ring	NBR	57.	805705 Float switch	
29.	Motor stator	11			