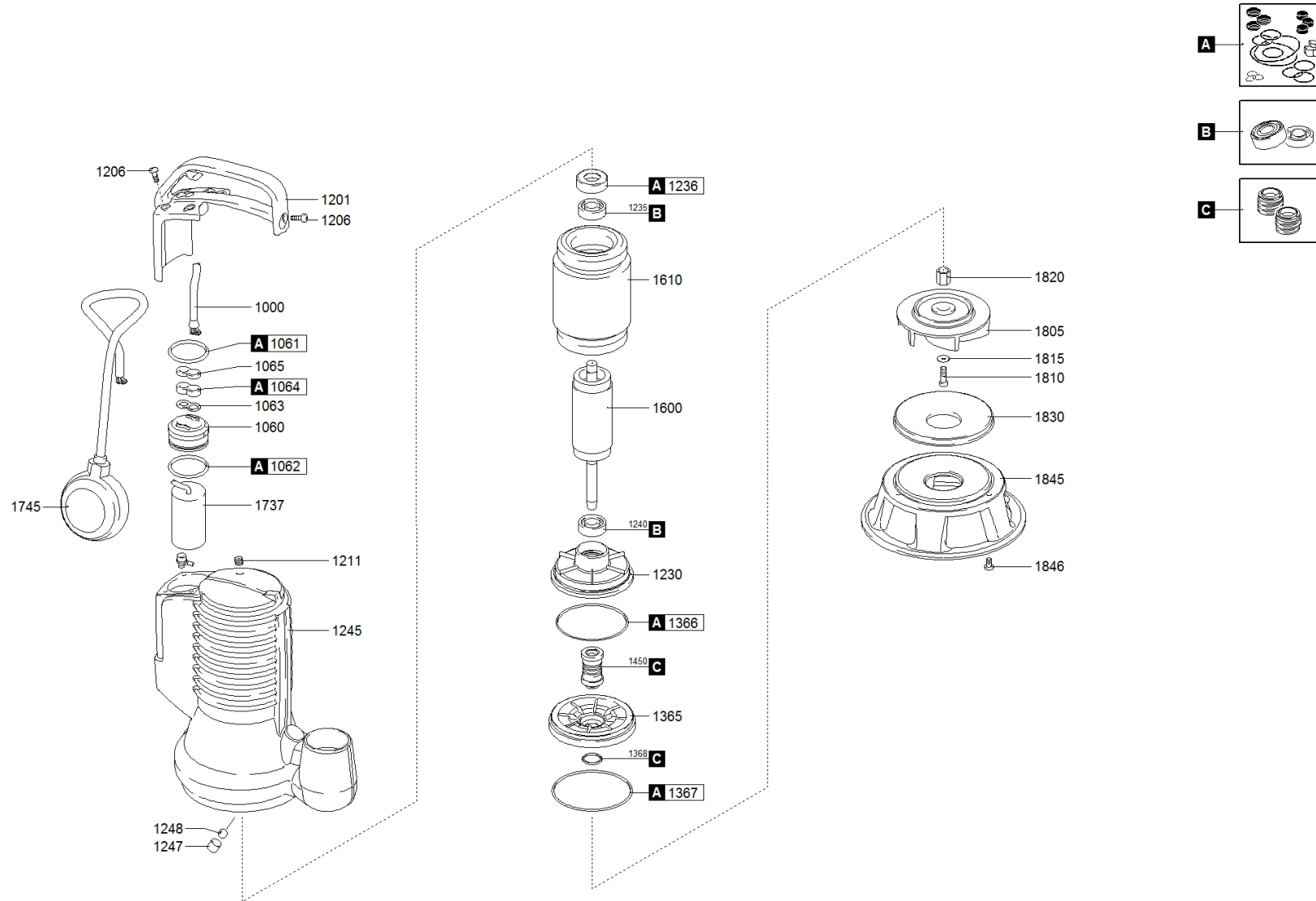


1058.012 - DGBLUE 75/2/G40V A1BM5 NPTGB41U23NW0CX





water solutions



1058.012 - DGBLUE 75/2/G40V A1BM5 NPTGB41U23NW0CX

		Code	Description		Q.ty	Price (€)
A		601008001	GASKETS KIT`	801156	1	
C		602008011	MECHANICAL SEALS KIT	802762	1	
B		604008301	BEARINGS KIT		1	
1000		250102304010200000	POWER CABLE		1	
1060		239768026156	HOLDER [CABLE GLAND]	805885	1	
1061		271770412835300000	UPPER GASKET - HOLDER [CABLE GLAND]	711030	1	
1062		271770040952620000	LOWER GASKET - HOLDER [CABLE GLAND]		1	
1063		235467024279	CABLE STOP		1	
1063		2732001100000	CABLE STOP		1	
1064		235678024236	RUBBER GASKET	804983	1	
1065		235467024241	CABLE GLAND	805884	1	
1201		235360424137	CABLE GLAND HANDLE	802099	1	
1206		270830510140400000	SCREW [CABLE GLAND HANDLE >> COVER]		5	
1211		270139510104000000	CAP [TIGHTNESS TEST]	802099	1	
1230		230556223465	LOWER BEARING HOLDER		1	
1235		2729062010200000	UPPER BEARING	711365	1	
1236		238579023531	RUBBER PROTECTION [UPPER BEARING]		1	
1240		2729062010200000	LOWER BEARING	711365	1	
1245		231016224961	MOTOR CASE		1	
1365		2391000015023462	MECHANICAL SEAL FLANGE		1	
1366		271770088035000000	GASKET [LOWER BEARING HOLDER >> MECHANICAL SEAL FLANGE]		1	
1367		271770108026000000	GASKET [MECHANICAL SEAL FLANGE >> BASE]		1	
1368		237970100160600000	V-RING [MECHANICAL SEAL FLANGE]		1	
1450		230005060120000000	MECHANICAL SEAL		1	
1600		230233611423479	SHAFT WITH ROTOR		1	
1610		231101141001000000	WOUND STATOR	802374	1	
1737		2517012000000	CAPACITOR	710985	1	
1745		254500405100001	FLOAT SWITCH		1	
1805		21416400720523800	IMPELLER	711179	1	
1810		270830510200400000	LOCKING IMPELLER	711026	1	
1815		270530202073000000	LOCKING WASHER [IMPELLER]		1	
1820		2307405623457	BUSH [IMPELLER]		1	
1845		2145611323900	BASE	711171 OR 808473	1	
1846		270830510100400000	SCREW [BASE >> MOTOR CASE]		3	

