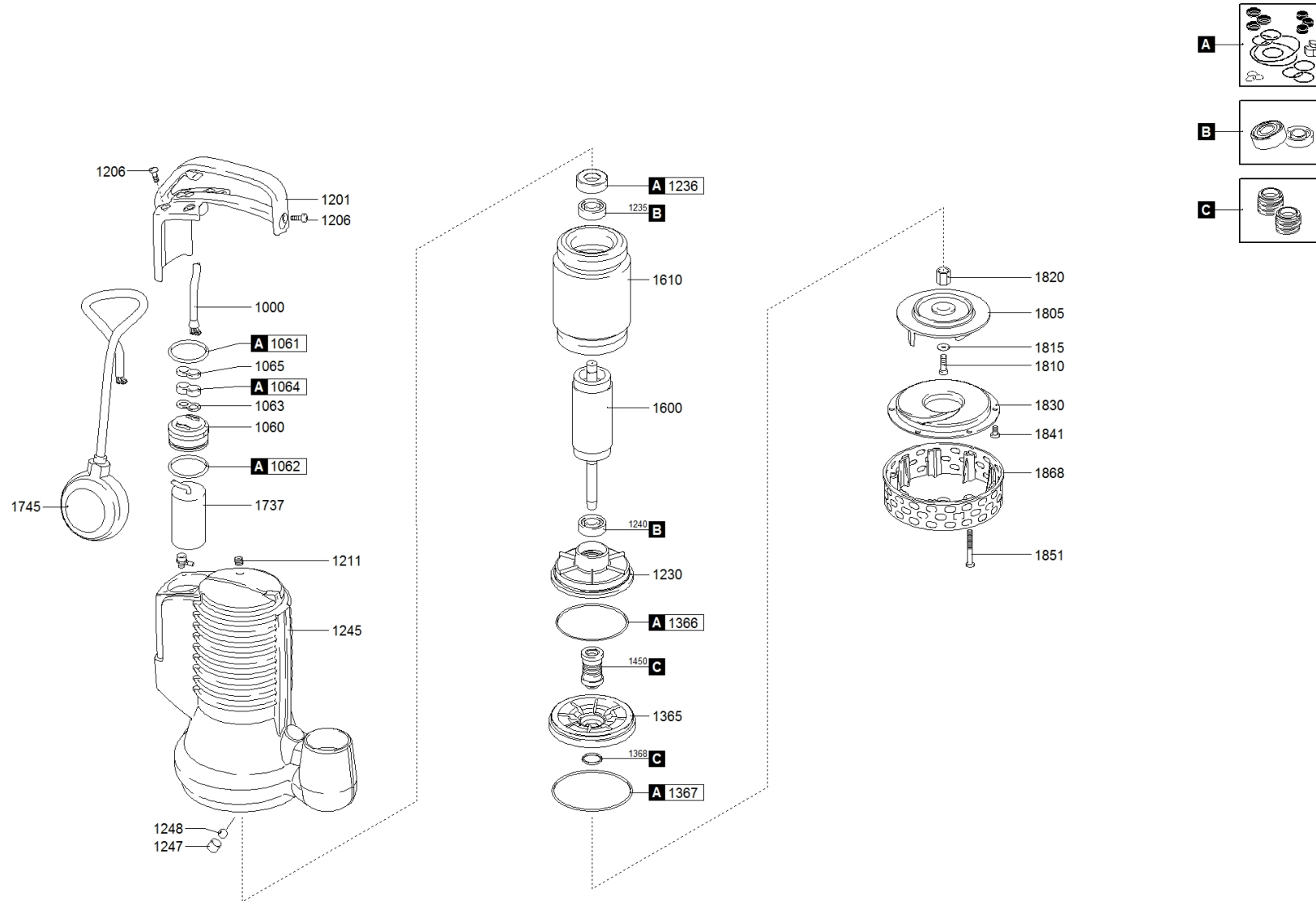


1074.009 - DRBLUE 75/2/G32V A1BM5 NPTGB41U23NW0CX





water solutions



1074.009 - DRBLUE 75/2/G32V A1BM5 NPTGB41U23NW0CX

	Code	Description		Q.ty	Price (€)
A	601008001	GASKETS KIT	801156	1	21,15
C	602008011	MECHANICAL SEALS KIT	802762	1	29,50
B	604008301	BEARINGS KIT		1	13,10
1000	250102304010200000	POWER CABLE		1	51,20
1060	239768026156	HOLDER [CABLE GLAND]	805885	1	4,34
1061	271770412835300000	UPPER GASKET - HOLDER [CABLE GLAND]	711030	1	-
1062	271770040952620000	LOWER GASKET - HOLDER [CABLE GLAND]		1	-
1063	235467024279	CABLE STOP		1	1,35
1063	2732001100000	CABLE STOP		1	-
1064	235678024236	RUBBER GASKET	711017	1	-
1065	235467024241	CABLE GLAND	805884	1	1,50
1201	235360424137	CABLE GLAND HANDLE	804983	1	16,45
1206	270830510140400000	SCREW [CABLE GLAND HANDLE >> COVER]		5	0,40
1211	270139510104000000	CAP [TIGHTNESS TEST]	802099	1	2,00
1230	230556223465	LOWER BEARING HOLDER		1	64,80
1235	2729062010200000	UPPER BEARING	711365	1	6,05
1236	238579023531	RUBBER PROTECTION [UPPER BEARING]		1	-
1240	2729062010200000	LOWER BEARING	711365	1	6,05
1245	231016224963	MOTOR CASE		1	127,10
1365	2391000015023462	MECHANICAL SEAL FLANGE		1	70,60
1366	271770088035000000	GASKET [LOWER BEARING HOLDER >> MECHANICAL SEAL FLANGE]		1	-
1367	271770079018000000	GASKET [MECHANICAL SEAL FLANGE >> BASE]		1	-
1368	237970100160600000	V-RING [MECHANICAL SEAL FLANGE]		1	-
1450	230005060120000000	MECHANICAL SEAL		1	28,95
1600	230233611423479	SHAFT WITH ROTOR		1	60,65
1610	231101141001000000	WOUND STATOR	802374	1	147,85
1737	2517012000000	CAPACITOR	710985	1	8,40
1745	254500405100001	FLOAT SWITCH		1	9,60
1805	21416000720423797	IMPELLER	711292	1	15,65
1810	270830510200400000	LOCKING IMPELLER	711026	1	0,40
1815	270530202073000000	LOCKING WASHER [IMPELLER]		1	0,95
1820	2307405623457	BUSH [IMPELLER]		1	25,35
1830	2162311323458	SUCTION FLANGE	710980	1	22,10
1841	270830510100400000	SCREW [SUCTION FLANGE >> MOTOR CASE]		3	0,40
1851	270830510450400000	SCREW [STRAINER >> SUCTION FLANGE]		3	0,70
1868	216563623890	CLOSED STRAINER	711284	1	19,05

