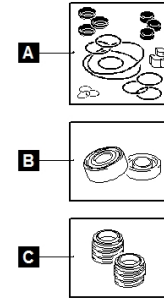
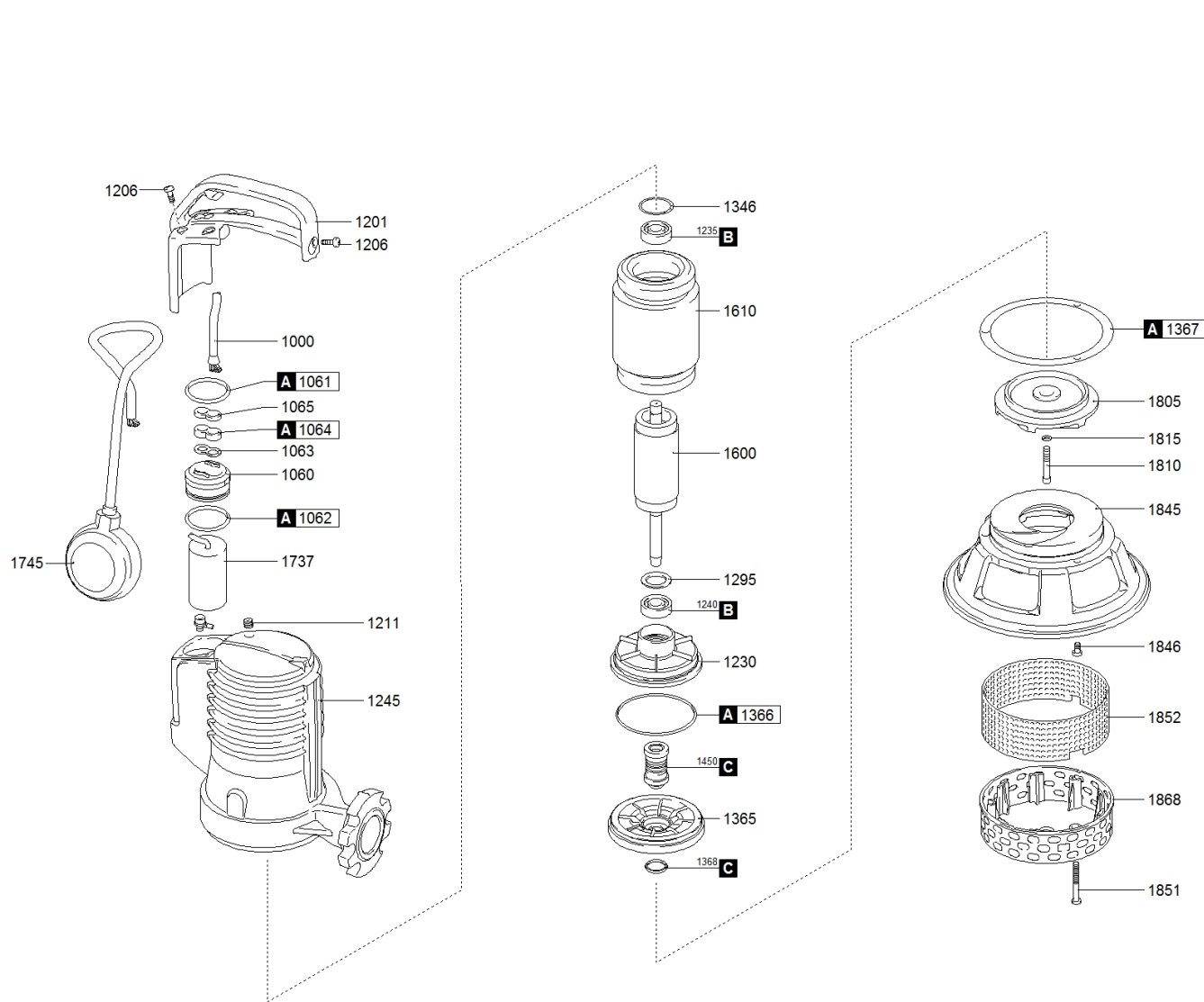


1110.007 - APBLUEP 100/2/G40H A1CM5 NGTGB51U23NW0CX





water solutions



1110.007 - APBLUEP 100/2/G40H A1CM5 NGTGB51U23NW0CX

		Code		Description		Q.ty	Price (€)
A		601008001		GASKETS KIT	801156	1	
C		602008031		MECHANICAL SEALS KIT	711079	1	
B		604008311		BEARINGS KIT		1	
1000		250102304010200000		POWER CABLE		1	
1060		239768026156		HOLDER [CABLE GLAND]	805885	1	
1061		271770412835300000		UPPER GASKET - HOLDER [CABLE GLAND]	711030	1	
1062		271770040952620000		LOWER GASKET - HOLDER [CABLE GLAND]		1	
1063		235467024279		CABLE STOP		1	
1063		2732001100000		CABLE STOP		1	
1064		235678024236		RUBBER GASKET	711017	1	
1065		235467024241		CABLE GLAND	805884	1	
1201		235361024325		CABLE GLAND HANDLE	804984	1	
1206		270830510140400000		SCREW [CABLE GLAND HANDLE >> COVER]		5	
1211		270139510104000000		CAP [TIGHTNESS TEST]	802099	1	
1230		230556323606		LOWER BEARING HOLDER		1	
1235		2729062030200000		UPPER BEARING	711360 OR 802083	1	
1240		2729063030200000		LOWER BEARING	750023	1	
1245		231016324968		MOTOR CASE		1	
1295		270220170241500000		UPPER DISTANCE RING [LOWER BEARING]	711065	1	
1346		27542039100000		WAVE SPRING	802283	1	
1365		2391120021023608		MECHANICAL SEAL FLANGE		1	
1366		271770107035000000		GASKET [LOWER BEARING HOLDER >> MECHANICAL SEAL FLANGE]		1	
1367		2750912123933		GASKET [MECHANICAL SEAL FLANGE >> BASE]		5	
1368		237970130190600000		V-RING [MECHANICAL SEAL FLANGE]		1	
1450		230005040150000000		MECHANICAL SEAL	710995	1	
1600		230233611623762		SHAFT WITH ROTOR		1	
1610		231101161002000000		WOUND STATOR	802370	1	
1737		2517024000000		CAPACITOR	710986	1	
1745		254500405100001		FLOAT SWITCH		1	
1805		21411500790523667		IMPELLER		1	
1810		270830610303200000		LOCKING IMPELLER		1	
1845		2145112123912		BASE		1	
1846		270830610123200000		SCREW [BASE >> MOTOR CASE]	802092	3	
1851		270830510450400000		SCREW [STRAINER >> SUCTION FLANGE]		3	
1868		216563623890		CLOSED STRAINER	711284	1	

