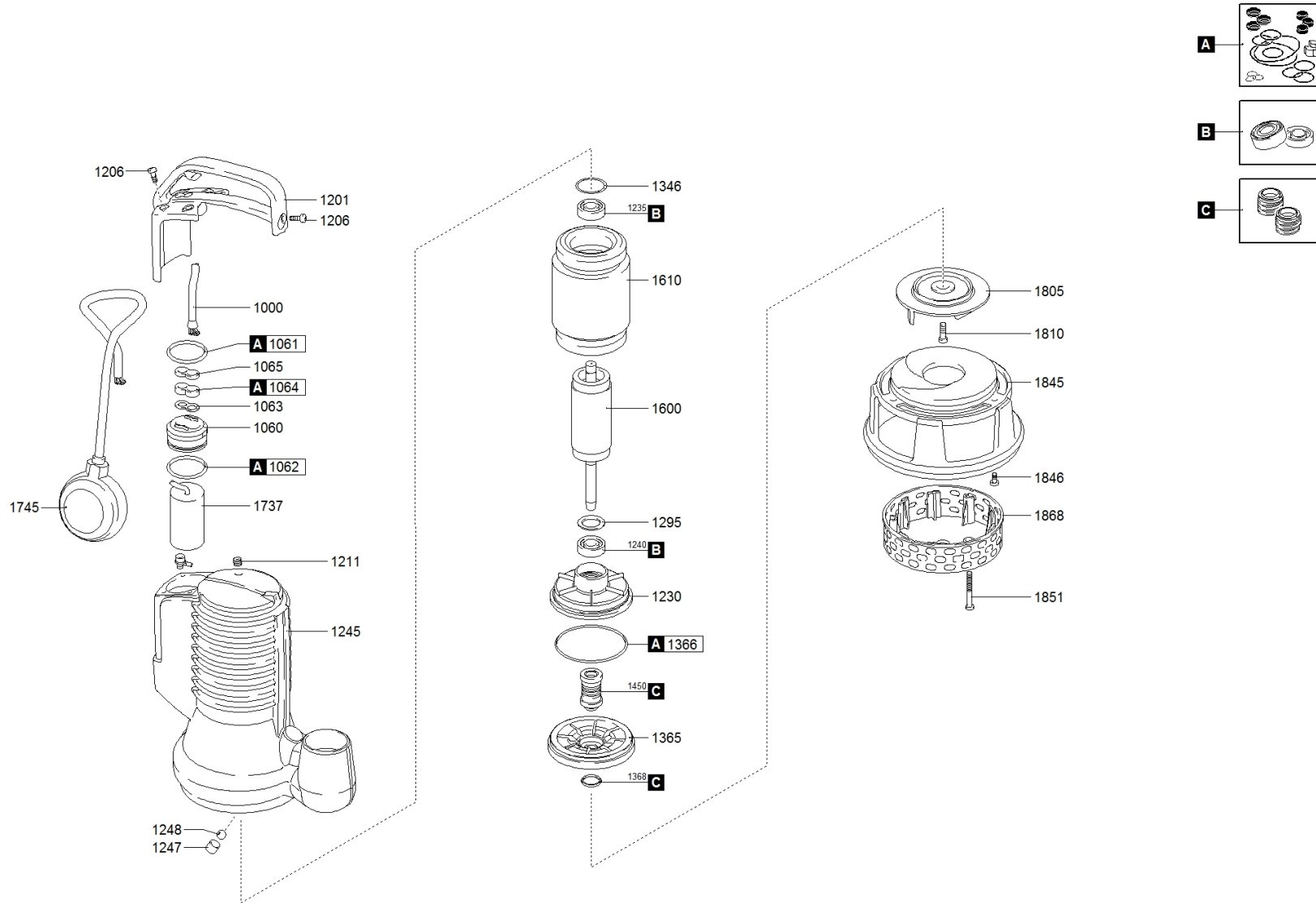


1108.006 - DRBLUEP 200/2/G50V A1CM5 NGTCB51U23NW0CX





water solutions



1108.006 - DRBLUEP 200/2/G50V A1CM5 NGTCB51U23NW0CX

	Code	Description		Q.ty	Price (€)
A	601008001	GASKETS KIT	801156	1	21,15
C	602008031	MECHANICAL SEALS KIT	711079	1	55,25
1000	250102304010200000	POWER CABLE		1	51,20
1060	239768026156	HOLDER [CABLE GLAND]	805885	1	4,34
1061	271770412835300000	UPPER GASKET - HOLDER [CABLE GLAND]	711030	1	-
1062	271770040952620000	LOWER GASKET - HOLDER [CABLE GLAND]		1	-
1063	235467024279	CABLE STOP		1	1,35
1063	2732001100000	CABLE STOP		1	-
1064	235678024237	RUBBER GASKET	711018	1	-
1065	235467024241	CABLE GLAND	805884	1	1,50
1201	235361024325	CABLE GLAND HANDLE	804984	1	18,80
1206	270830510140400000	SCREW [CABLE GLAND HANDLE >> COVER]		5	0,40
1211	270139510104000000	CAP [TIGHTNESS TEST]	802099	1	2,00
1230	230556323606	LOWER BEARING HOLDER		1	31,10
1235	2729062030200000	UPPER BEARING	711360 OR 802083	1	7,15
1240	2729063030200000	LOWER BEARING	750023	1	10,85
1245	231016324970	MOTOR CASE		1	214,30
1247	2307605724327	BUSH [BREATHER]		1	1,35
1248	273077224326	BALL [BREATHER]		1	1,50
1295	270220170241500000	UPPER DISTANCE RING [LOWER BEARING]	711065	1	0,85
1346	27542039100000	WAVE SPRING	802283	1	0,55
1365	2391120021023608	MECHANICAL SEAL FLANGE		1	27,75
1366	271770107035000000	GASKET [LOWER BEARING HOLDER >> MECHANICAL SEAL FLANGE]		1	-
1368	237970130190600000	V-RING [MECHANICAL SEAL FLANGE]		1	-
1450	230005040150000000	MECHANICAL SEAL	710995	1	57,65
1600	230233612023936	SHAFT WITH ROTOR	803302	1	114,80
1610	231101201001000000	WOUND STATOR	711046 OR 802368	1	245,65
1737	2517028100000	CAPACITOR	711022	1	12,25
1805	21411001000623948	IMPELLER	710973	1	24,50
1810	270830610203200000	LOCKING IMPELLER		1	0,40
1845	2145113023902	BASE	600671	1	108,15
1846	270830610123200000	SCREW [BASE >> MOTOR CASE]	802092	3	0,40
1851	270830510450400000	SCREW [STRAINER >> SUCTION FLANGE]		3	0,70
1868	216560023484	CLOSED STRAINER	808323	1	8,90

