



WATER TECHNOLOGY

Attention: check the correspondence with the revision of your product

Model - Revision @ Code_Document version

JET 200 T - N.1.- - @ 102160150_a,c

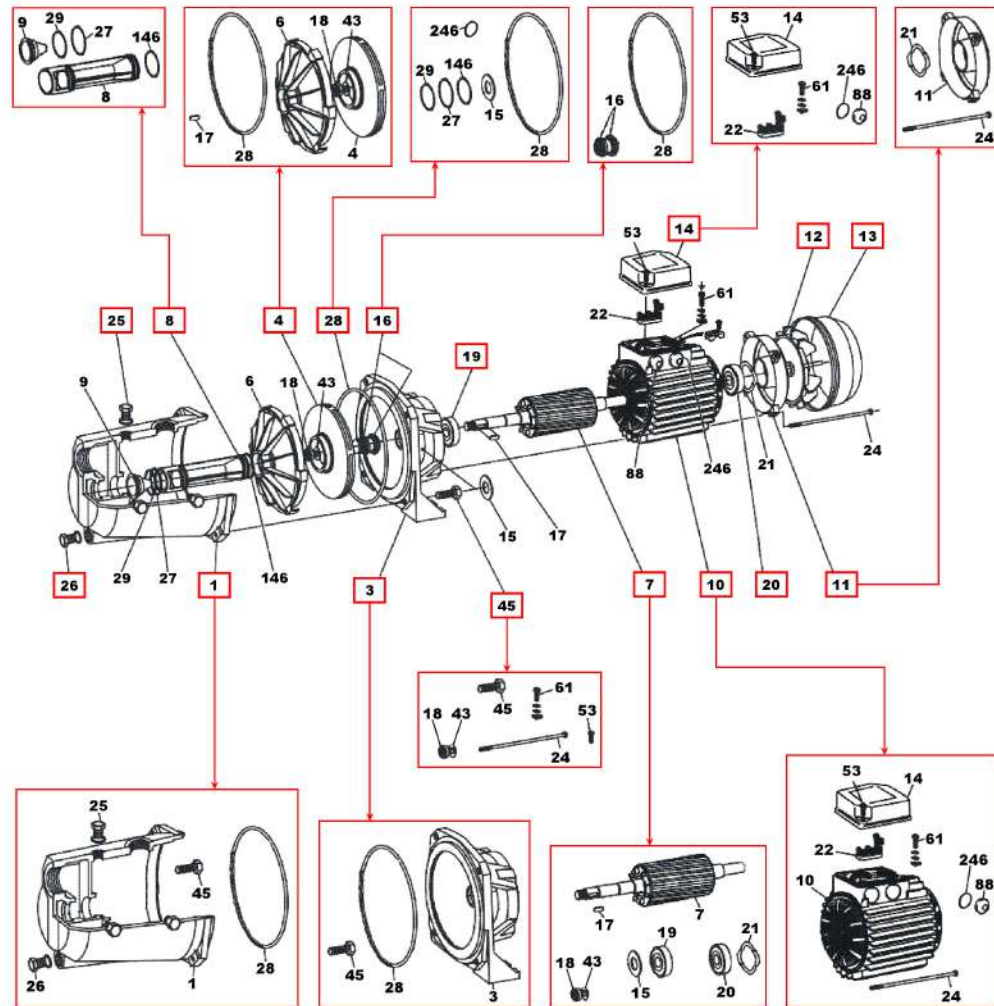
Receiver

From

Page: 3

Society
Reference
Phone
Fax
E-mail

Item	Q.ty	Item no.	Description	Unit pr.
1	1	R00005221	(SP) PUMP BODY	On req.
3	1	R00005200	(SP) SUPPORT	On req.
4	1	R00005269	(SP) IMPELLER	On req.
7	1	R00005267	&(SP) MOTOR SHAFT	On req.
8	1	R00005212	(SP) VENTURI	On req.
10	1	R00005270	(DISCONTINUED)SPARE P.MOTOR	On req.
11	1	R00005208	(SP) MOTOR COVER	On req.
12	1	R00010395	SP - FAN	On req.
13	1	R00004703	(SP) FAN COVER	On req.
14	1	R00004854	(SP) TERMINAL BLOCK	On req.
16	1	R00005210	(SP) SHAFT SEAL D.17	On req.
19	1	R00010380	SP - BALL BEARINGS 6304-2RSH	On req.
20	1	R00010381	SP - BALL BEARINGS 6204-2RSH	On req.
25	1	R00005653	(SP) AIRVENT PLUG	On req.
26	1	R00005653	(SP) AIRVENT PLUG	On req.
28	1	R00005202	(SP) ORING/GASKETS	On req.
45	1	R00005268	(SP) BOLTS&FASTNERS	On req.



Project

Project ID

Created by

Created on
2019-03-14

Last update