

---

**ISTRUZIONI PER L'INSTALLAZIONE E LA MANUTENZIONE  
INSTRUCTIONS DE MISE EN SERVICE ET D'ENTRETIEN  
INSTRUCTIONS FOR INSTALLATION AND MAINTENANCE  
INSTALLATIONSANWEISUNG UND WARTUNG  
INSTRUCTIES VOOR INGEBRUIKNAME EN ONDERHOUD  
INSTRUCCIONES PARA LA INSTALACION Y EL MANTENIMIENTO  
INSTALLATIONS - OCH UNDERHÅLLSANVISNING  
KULLANIM VE BAKIM TALİMATLARI  
ИНСТРУКЦИИ ПО МОНТАЖУ И ТЕХНИЧЕСКОМУ ОБСЛУЖИВАНИЮ  
MONTAVIMO IR PRIEŽIŪROS INSTRUKCIJA  
INSTRUCTIUNI PENTRU INSTALARE SI INTRETINERE  
INSTRUÇÕES PARA A INSTALAÇÃO E A MANUTENÇÃO  
安装维护说明**

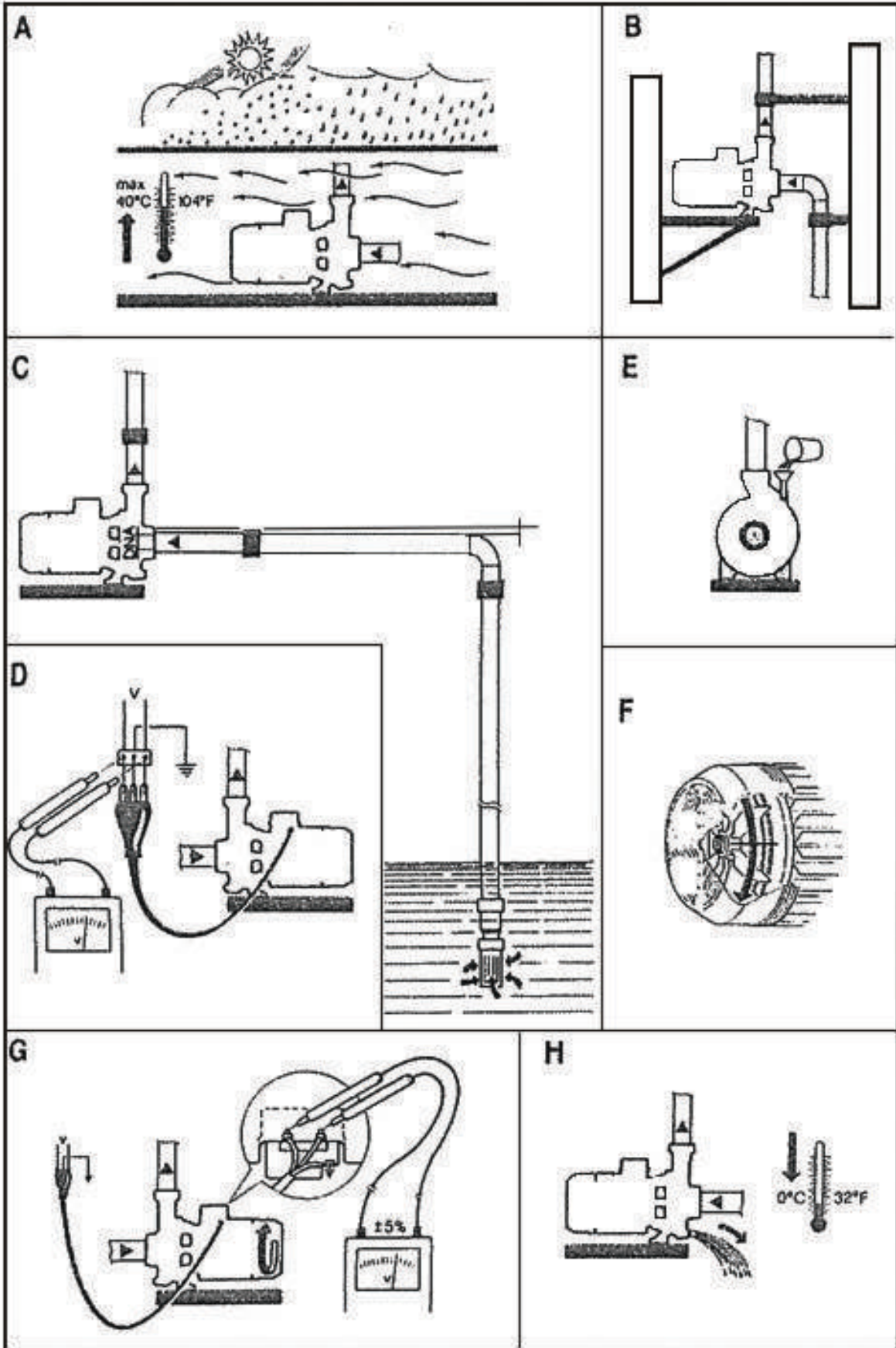
**K 36/200 - K 40/200 - K 55/200**

**K 11/500 - K 18/500 - K 28/500  
K 40/400 - K 50/400**

**K 30/800 - K 40/800 - K 50/800  
K 20/1200 - K 25/1200 - K 35/1200**

**K 55/100 - K 66/100 - K 90/100  
K 70/300 - K 80/300 - K 70/400 - K 80/400**





---

**K 36/200 - K 40/200 - K 55/200**

**K 11/500 - K 18/500 - K 28/500**  
**K 40/400 - K 50/400**

**K 30/800 - K 40/800 - K 50/800**  
**K 20/1200 - K 25/1200 - K 35/1200**

**K 55/100 - K 66/100 - K 90/100**  
**K 70/300 - K 80/300 - K 70/400 - K 80/400**

**KE 36/200 - KE 40/200 - KE 55/200**

**KE 40/400 - KE 50/400**

**KE 30/800 - KE 40/800 - KE 50/800**  
**KE 25/1200 - KE 35/1200**

**KE 55/100 - KE 66/100 - KE 90/100**  
**KE 70/300 - KE 80/300 - KE 70/400 - KE 80/400**

---

|   |   |
|---|---|
| <p><b>(IT) DICHIARAZIONE DI CONFORMITÀ CE</b><br/> Noi, <b>DAB Pumps S.p.A. - Via M.Polo, 14 – Mestrino (PD) – Italy</b>, dichiariamo sotto la nostra esclusiva responsabilità che i prodotti ai quali questa dichiarazione si riferisce sono conformi alle seguenti direttive:</p> <ul style="list-style-type: none"> <li>– 2006/42/CE (Machine Directive)</li> <li>– 2006/95/CE (Low Voltage Directive)</li> <li>– 2004/108/CE (Electromagnetic Compatibility Directive)</li> <li>– 2009/125/EC ErP (Energy related Products)</li> <li>– 2011/65/EU (Restriction of the use of certain hazardous substances in electrical and electronic equipment)</li> </ul> <p>ed alle seguenti norme:</p> <ul style="list-style-type: none"> <li>– EN 60335-1 : 10 (Household and Similar Electrical Appliances – Safety)</li> <li>– EN 60335-2-41 : 05 (Particular Requirements for Pumps)</li> <li>– EN 60204-1 : 06 (Electrical Equipment of Machines)</li> <li>– EN 809 : 98 (Pumps and pump units for liquids - Common safety requirements)</li> </ul>           | <p><b>(FR) DÉCLARATION DE CONFORMITÉ CE</b><br/> Nous, <b>DAB Pumps S.p.A. - Via M.Polo, 14 – Mestrino (PD) – Italy</b>, déclarons sous notre responsabilité exclusive que les produits auxquels cette déclaration se réfère sont conformes aux directives suivantes:</p> <ul style="list-style-type: none"> <li>– 2006/42/CE (Machine Directive)</li> <li>– 2006/95/CE (Low Voltage Directive)</li> <li>– 2004/108/CE (Electromagnetic Compatibility Directive)</li> <li>– 2009/125/EC ErP (Energy related Products)</li> <li>– 2011/65/EU (Restriction of the use of certain hazardous substances in electrical and electronic equipment)</li> </ul> <p>ainsi qu'aux normes suivantes :</p> <ul style="list-style-type: none"> <li>– EN 60335-1 : 10 (Household and Similar Electrical Appliances – Safety)</li> <li>– EN 60335-2-41 : 05 (Particular Requirements for Pumps)</li> <li>– EN 60204-1 : 06 (Electrical Equipment of Machines)</li> <li>– EN 809 : 98 (Pumps and pump units for liquids - Common safety requirements)</li> </ul>             |
| <p><b>(GB) DECLARATION OF CONFORMITY CE</b><br/> We, <b>DAB Pumps S.p.A. - Via M.Polo, 14 – Mestrino (PD) – Italy</b>, declare under our responsibility that the products to which this declaration refers are in conformity with the following directives:</p> <ul style="list-style-type: none"> <li>– 2006/42/CE (Machine Directive)</li> <li>– 2006/95/CE (Low Voltage Directive)</li> <li>– 2004/108/CE (Electromagnetic Compatibility Directive)</li> <li>– 2009/125/EC ErP (Energy related Products)</li> <li>– 2011/65/EU (Restriction of the use of certain hazardous substances in electrical and electronic equipment)</li> </ul> <p>and with the following standards:</p> <ul style="list-style-type: none"> <li>– EN 60335-1 : 10 (Household and Similar Electrical Appliances – Safety)</li> <li>– EN 60335-2-41 : 05 (Particular Requirements for Pumps)</li> <li>– EN 60204-1 : 06 (Electrical Equipment of Machines)</li> <li>– EN 809 : 98 (Pumps and pump units for liquids - Common safety requirements)</li> </ul>                     | <p><b>(DE) EG-KONFORMITÄTSERKLÄRUNG</b><br/> Wir, <b>DAB Pumps S.p.A. - Via M.Polo, 14 – Mestrino (PD) – Italy</b>, erklären unter unserer ausschließlichen Verantwortlichkeit, dass die Produkte auf die sich diese Erklärung bezieht, den folgenden Richtlinien:</p> <ul style="list-style-type: none"> <li>– 2006/42/CE (Machine Directive)</li> <li>– 2006/95/CE (Low Voltage Directive)</li> <li>– 2004/108/CE (Electromagnetic Compatibility Directive)</li> <li>– 2009/125/EC ErP (Energy related Products)</li> <li>– 2011/65/EU (Restriction of the use of certain hazardous substances in electrical and electronic equipment)</li> </ul> <p>sowie den folgenden Normen entsprechen:</p> <ul style="list-style-type: none"> <li>– EN 60335-1 : 10 (Household and Similar Electrical Appliances – Safety)</li> <li>– EN 60335-2-41 : 05 (Particular Requirements for Pumps)</li> <li>– EN 60204-1 : 06 (Electrical Equipment of Machines)</li> <li>– EN 809 : 98 (Pumps and pump units for liquids - Common safety requirements)</li> </ul>        |
| <p><b>(NL) EG-VERKLARING VAN OVEREENSTEMMING</b><br/> Wij, <b>DAB Pumps S.p.A. - Via M.Polo, 14 – Mestrino (PD) – Italy</b>, verklaren uitsluitend voor eigen verantwoordelijkheid dat de producten waarop deze verklaring betrekking heeft, conform de volgende richtlijnen zijn:</p> <ul style="list-style-type: none"> <li>– 2006/42/CE (Machine Directive)</li> <li>– 2006/95/CE (Low Voltage Directive)</li> <li>– 2004/108/CE (Electromagnetic Compatibility Directive)</li> <li>– 2009/125/EC ErP (Energy related Products)</li> <li>– 2011/65/EU (Restriction of the use of certain hazardous substances in electrical and electronic equipment)</li> </ul> <p>en conform de volgende normen:</p> <ul style="list-style-type: none"> <li>– EN 60335-1 : 10 (Household and Similar Electrical Appliances – Safety)</li> <li>– EN 60335-2-41 : 05 (Particular Requirements for Pumps)</li> <li>– EN 60204-1 : 06 (Electrical Equipment of Machines)</li> <li>– EN 809 : 98 (Pumps and pump units for liquids - Common safety requirements)</li> </ul> | <p><b>(ES) DECLARACIÓN DE CONFORMIDAD CE</b><br/> Nosotros, <b>DAB Pumps S.p.A. - Via M.Polo, 14 – Mestrino (PD) – Italy</b>, declaramos bajo nuestra exclusiva responsabilidad que los productos a los que se refiere esta declaración son conformes con las directivas siguientes:</p> <ul style="list-style-type: none"> <li>– 2006/42/CE (Machine Directive)</li> <li>– 2006/95/CE (Low Voltage Directive)</li> <li>– 2004/108/CE (Electromagnetic Compatibility Directive)</li> <li>– 2009/125/EC ErP (Energy related Products)</li> <li>– 2011/65/EU (Restriction of the use of certain hazardous substances in electrical and electronic equipment)</li> </ul> <p>y con las normas siguientes:</p> <ul style="list-style-type: none"> <li>– EN 60335-1 : 10 (Household and Similar Electrical Appliances – Safety)</li> <li>– EN 60335-2-41 : 05 (Particular Requirements for Pumps)</li> <li>– EN 60204-1 : 06 (Electrical Equipment of Machines)</li> <li>– EN 809 : 98 (Pumps and pump units for liquids - Common safety requirements)</li> </ul> |
| <p><b>(SE) EG-FÖRSÄKRAN OM ÖVERENSSTÄMMELSE</b><br/> Vi, <b>DAB Pumps S.p.A. - Via M.Polo, 14 – Mestrino (PD) – Italy</b>, försäkrar under eget ansvar att produkterna som denna försäkrans avser är i överensstämmelse med följande direktiv:</p> <ul style="list-style-type: none"> <li>– 2006/42/CE (Machine Directive)</li> <li>– 2006/95/CE (Low Voltage Directive)</li> <li>– 2004/108/CE (Electromagnetic Compatibility Directive)</li> <li>– 2009/125/EC ErP (Energy related Products)</li> <li>– 2011/65/EU (Restriction of the use of certain hazardous substances in electrical and electronic equipment)</li> </ul> <p>och följande standarder:</p> <ul style="list-style-type: none"> <li>– EN 60335-1 : 10 (Household and Similar Electrical Appliances – Safety)</li> <li>– EN 60335-2-41 : 05 (Particular Requirements for Pumps)</li> <li>– EN 60204-1 : 06 (Electrical Equipment of Machines)</li> <li>– EN 809 : 98 (Pumps and pump units for liquids - Common safety requirements)</li> </ul>   | <p><b>(TR) CE UYGUNLUK BEYANNAMESİ</b><br/> Biz, <b>DAB Pumps S.p.A. - Via M.Polo, 14 – Mestrino (PD) – Italy</b>, Münhasır sorumluluğumuz altında olarak aşağıda belirtilen ve işbu beyannamenin ilişkin olduğu ürünlerin aşağıdaki direktiflere:</p> <ul style="list-style-type: none"> <li>– 2006/42/CE (Machine Directive)</li> <li>– 2006/95/CE (Low Voltage Directive)</li> <li>– 2004/108/CE (Electromagnetic Compatibility Directive)</li> <li>– 2009/125/EC ErP (Energy related Products)</li> <li>– 2011/65/EU (Restriction of the use of certain hazardous substances in electrical and electronic equipment)</li> </ul> <p>ve aşağıdaki standartlara uygun olduklarını beyan ederiz:</p> <ul style="list-style-type: none"> <li>– EN 60335-1 : 10 (Household and Similar Electrical Appliances – Safety)</li> <li>– EN 60335-2-41 : 05 (Particular Requirements for Pumps)</li> <li>– EN 60204-1 : 06 (Electrical Equipment of Machines)</li> <li>– EN 809 : 98 (Pumps and pump units for liquids - Common safety requirements)</li> </ul>      |

|  |   |
|--|---|
| <p><b>(RU) ЗАЯВЛЕНИЕ О СООТВЕТСТВИИ CE</b><br/> Мы, <b>DAB Pumps S.p.A. - Via M.Polo, 14 – Mestrino (PD) – Italy</b>, заявляем под полную нашу ответственность, что изделия к которым относится данное заявление, отвечают требованиям следующих директив:</p> <ul style="list-style-type: none"> <li>- <b>2006/42/CE (Machine Directive)</b></li> <li>- <b>2006/95/CE (Low Voltage Directive)</b></li> <li>- <b>2004/108/CE (Electromagnetic Compatibility Directive)</b></li> <li>- <b>2009/125/EC ErP (Energy related Products)</b></li> <li>- <b>2011/65/EU (Restriction of the use of certain hazardous substances in electrical and electronic equipment)</b></li> </ul> <p>и следующих нормативов:</p> <ul style="list-style-type: none"> <li>- <b>EN 60335-1 : 10 (Household and Similar Electrical Appliances – Safety)</b></li> <li>- <b>EN 60335-2-41 : 05 (Particular Requirements for Pumps)</b></li> <li>- <b>EN 60204-1 : 06 (Electrical Equipment of Machines)</b></li> <li>- <b>EN 809 : 98 (Pumps and pump units for liquids - Common safety requirements)</b></li> </ul>          | <p><b>(LT) ES ATITIKTIES DEKLARACIJA</b><br/> Mes, <b>DAB Pumps S.p.A. - Via M.Polo, 14 – Mestrino (PD) – Italy</b>, atsakingai pareiškiamo, kad produktai atitinka šių direktyvų reikalavimus:</p> <ul style="list-style-type: none"> <li>- <b>2006/42/CE (Machine Directive)</b></li> <li>- <b>2006/95/CE (Low Voltage Directive)</b></li> <li>- <b>2004/108/CE (Electromagnetic Compatibility Directive)</b></li> <li>- <b>2009/125/EC ErP (Energy related Products)</b></li> <li>- <b>2011/65/EU (Restriction of the use of certain hazardous substances in electrical and electronic equipment)</b></li> </ul> <p>bei šių normų reikalavimus:</p> <ul style="list-style-type: none"> <li>- <b>EN 60335-1 : 10 (Household and Similar Electrical Appliances – Safety)</b></li> <li>- <b>EN 60335-2-41 : 05 (Particular Requirements for Pumps)</b></li> <li>- <b>EN 60204-1 : 06 (Electrical Equipment of Machines)</b></li> <li>- <b>EN 809 : 98 (Pumps and pump units for liquids - Common safety requirements)</b></li> </ul>  |
| <p><b>(RO) DECLARAȚIE DE CONFORMITATE CE</b><br/> Noi, <b>DAB Pumps S.p.A. - Via M.Polo, 14 – Mestrino (PD) – Italy</b>, declarăm sub exclusivă noastră responsabilitate că produsele la care se referă această declarație sunt conforme cu următoarele directive:</p> <ul style="list-style-type: none"> <li>- <b>2006/42/CE (Machine Directive)</b></li> <li>- <b>2006/95/CE (Low Voltage Directive)</b></li> <li>- <b>2004/108/CE (Electromagnetic Compatibility Directive)</b></li> <li>- <b>2009/125/EC ErP (Energy related Products)</b></li> <li>- <b>2011/65/EU (Restriction of the use of certain hazardous substances in electrical and electronic equipment)</b></li> </ul> <p>și cu următoarele norme:</p> <ul style="list-style-type: none"> <li>- <b>EN 60335-1 : 10 (Household and Similar Electrical Appliances – Safety)</b></li> <li>- <b>EN 60335-2-41 : 05 (Particular Requirements for Pumps)</b></li> <li>- <b>EN 60204-1 : 06 (Electrical Equipment of Machines)</b></li> <li>- <b>EN 809 : 98 (Pumps and pump units for liquids - Common safety requirements)</b></li> </ul> | <p><b>(PT) DECLARAÇÃO DE CONFORMIDADE CE</b><br/> Nós, <b>DAB Pumps S.p.A. - Via M.Polo, 14 – Mestrino (PD) – Italy</b>, declaramos sob nossa exclusivă responsabilidade que os produtos aos quais esta declaração diz respeito, estão em conformidade com as seguintes directivas:</p> <ul style="list-style-type: none"> <li>- <b>2006/42/CE (Machine Directive)</b></li> <li>- <b>2006/95/CE (Low Voltage Directive)</b></li> <li>- <b>2004/108/CE (Electromagnetic Compatibility Directive)</b></li> <li>- <b>2009/125/EC ErP (Energy related Products)</b></li> <li>- <b>2011/65/EU (Restriction of the use of certain hazardous substances in electrical and electronic equipment)</b></li> </ul> <p>e com as seguintes normas:</p> <ul style="list-style-type: none"> <li>- <b>EN 60335-1 : 10 (Household and Similar Electrical Appliances – Safety)</b></li> <li>- <b>EN 60335-2-41 : 05 (Particular Requirements for Pumps)</b></li> <li>- <b>EN 60204-1 : 06 (Electrical Equipment of Machines)</b></li> <li>- <b>EN 809 : 98 (Pumps and pump units for liquids - Common safety requirements)</b></li> </ul> |

**欧盟符合标准声明**

我们，即

ERROR: undefinedfilename  
OFFENDING COMMAND: .libfile

STACK:

()  
/  
/Font  
/  
/WPBBVE+