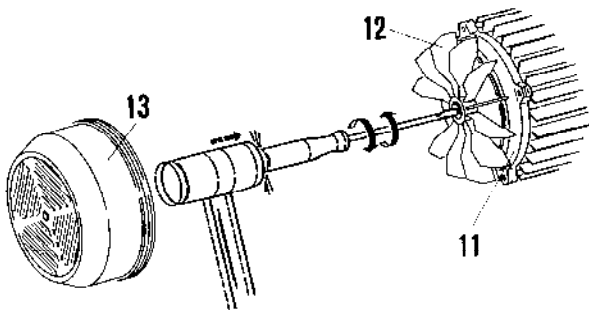
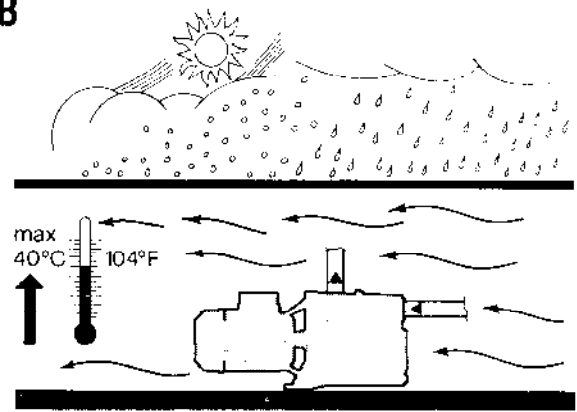
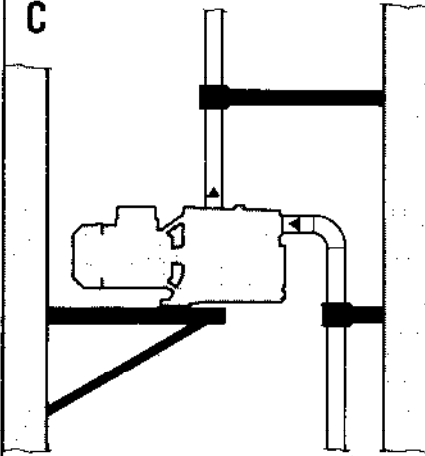
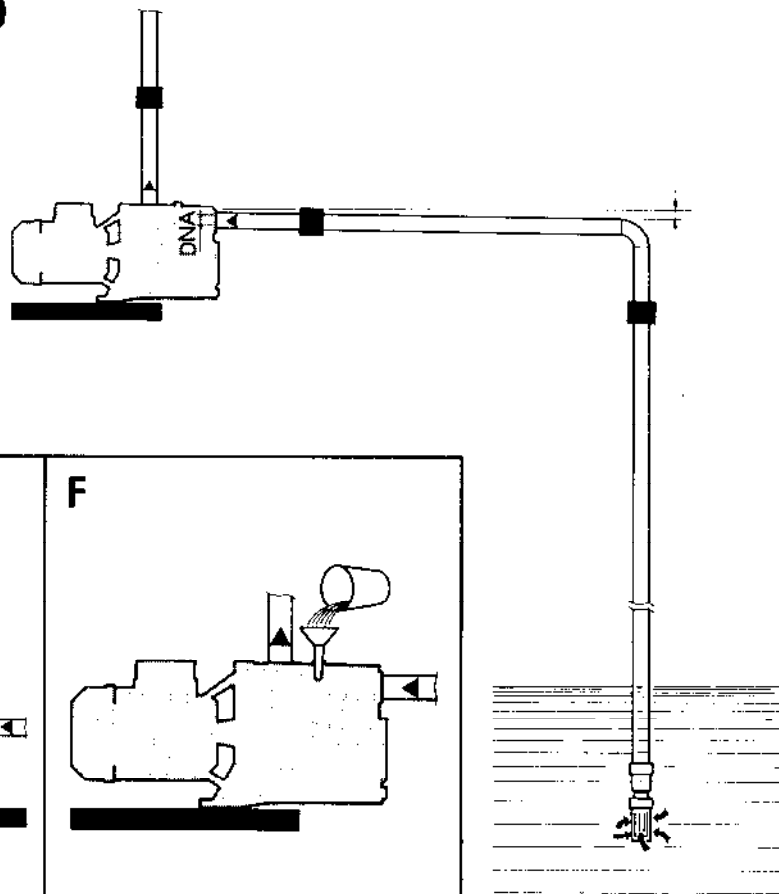
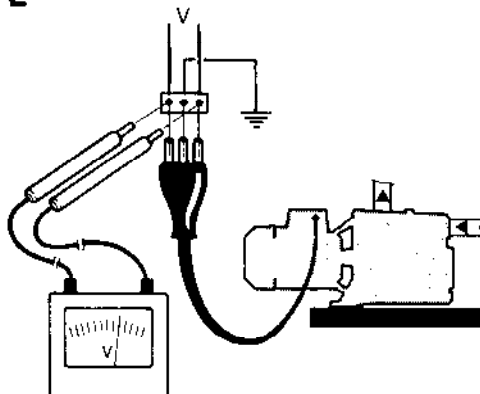
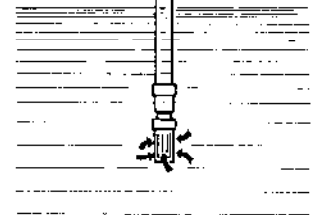
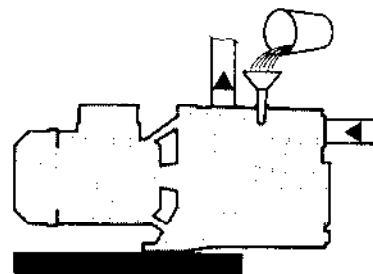
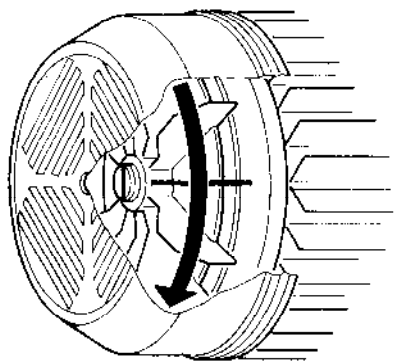
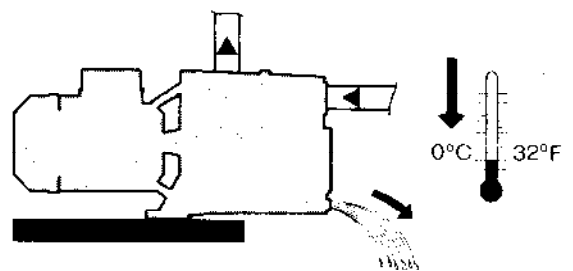


---

**ISTRUZIONI PER L'INSTALLAZIONE E LA MANUTENZIONE  
INSTRUCTIONS DE MISE EN SERVICE ET D'ENTRETIEN  
INSTRUCTIONS FOR INSTALLATION AND MAINTENANCE  
INSTALLATIONSANWEISUNG UND WARTUNG  
INSTRUCTIES VOOR INGEBRUIKNAME EN ONDERHOUD  
INSTRUCCIONES PARA LA INSTALACION Y EL MANTENIMIENTO  
INSTALLATIONS - OCH UNDERHÅLLSANVISNING  
KULLANIM VE BAKIM TALİMATLARI  
ИНСТРУКЦИИ ПО МОНТАЖУ И ТЕХНИЧЕСКОМУ  
ОБСЛУЖИВАНИЮ  
MONTAVIMO IR PRIEŽIŪROS INSTRUKCIJA  
INSTRUCTIUNI PENTRU INSTALARE SI INTRETINERE  
INSTRUÇÕES PARA A INSTALAÇÃO E A MANUTENÇÃO  
ΟΔΗΓΙΕΣ ΓΙΑ ΤΗΝ ΕΓΚΑΤΑΣΤΑΣΗ ΚΑΙ ΣΥΝΤΗΡΗΣΗ  
安装和维护说明  
إرشادات للتركيب والعناية.  
NÁVOD NA POUŽITÍ A ÚDRŽBU  
ASENNUS- JA HUOLTO-OHJEET  
UPUTSTVO ZA RUKOVANJE  
INSTALLÁCIÓS ÉS KARBANTARTÁSI UTASÍTÁS**

**JET 151 – 251 – 200 – 300  
DP – AQUADP  
EURO – EUROINOX – EUROCOM – EUROCOM SP  
GARDEN-INOX  
K  
KP 38/18 – 60/6 – 60/12  
KPA 40/20**



**A****B****C****D****E****F****G****H**

---

**JET 151 - JET 251**  
**JET 200 - JET 300**

**DP 81 - DP 100**  
**DP 82 - DP 102**  
**DP 151 - DP 251**

**AQUADP 82/20 - AQUADP 102/20**  
**AQUADP 151/40 - AQUADP 251/40**

**EURO 15/30 - EURO 20/50 - EURO 25/30 - EURO 30/30 - EURO 40/30**  
**EURO 25/306 - EURO 30/306 - EURO 40/306**

**EUROINOX 15/30 - EUROINOX 20/50 - EUROINOX 25/30 - EUROINOX 30/30**  
**EUROINOX 40/30**

**EUROINOX 25/306 - EUROINOX 30/306 EUROINOX 40/306**

**EUROCOM 25/30 - EUROCOM 30/30**  
**EUROCOM 25/306 - EUROCOM 30/306**

**EURO 30/50 - EURO 40/50 - EURO 50/50**  
**EURO 30/506 - EURO 40/506 - EURO 50/506**

**EUROINOX 30/50 - EUROINOX 40/50 - EUROINOX 50/50**  
**EUROINOX 30/506 – EUROINOX 40/506 – EUROINOX 50/506**

**EUROCOM 30/50 - EUROCOM 40/50**  
**EUROCOM 30/506 - EUROCOM 40/506**

**EURO 25/80 - EURO 30/80 - EURO 40/80**  
**EURO 25/806 - EURO 30/806 - EURO 40/806**

**EUROINOX 25/80 - EUROINOX 30/80 - EUROINOX 40/80**  
**EUROINOX 25/806 - EUROINOX 30/806 - EUROINOX 40/806**

**EUROCOM 25/80 - EUROCOM 30/80**  
**EUROCOM 25/806 - EUROCOM 30/806**

**EUROCOM SP 30/50 - EUROCOM SP 40/50**  
**EUROCOM SP 30/506 - EUROCOM SP 40/506**

**GARDEN-INOX 30/30 - GARDEN-INOX 40/50**

**K 20/41 - K 30/70 - K 30/100 - K 36/100**  
**K 12/200 - K 14/400**

**K 35/40 - K 45/50 - K 55/50**  
**KE 35/40 - KE 45/50 - KE - 55/50**

**K 35/100 - K 40/100**

**KP 38/18 - KP 60/6 - KP 60/12 - KPA 40/20**

---

---

<b>ITALIANO</b>	pag	01
<b>FRANÇAIS</b>	page	08
<b>ENGLISH</b>	page	15
<b>DEUTSCH</b>	Seite	22
<b>NEDERLANDS</b>	bladz	29
<b>ESPAÑOL</b>	pág	36
<b>SVENSKA</b>	sid	43
<b>TÜRKÇE</b>	sayfa	49
<b>РУССКИЙ</b>	стр.	56
<b>LIETUVIŠKAI</b>	psl.	63
<b>ROMANA</b>	pag.	69
<b>PORTUGUÊS</b>	pág.	75
<b>ΕΛΛΗΝΙΚΑ</b>	σελ.	81
	عربي صفحة 88	
中文	页码	94
<b>ČESKY</b>	strana	99
<b>SUOMI</b>	sivu	105
<b>POLSKI</b>	str.	112
<b>SRPSKI</b>	Str	119
<b>MAGYAR</b>	oldal	125

---

	page
<b>CONTENTS</b>	
1. <b>GENERAL</b>	15
2. <b>APPLICATIONS</b>	15
3. <b>PUMPED FLUIDS</b>	15
4. <b>TECHNICAL DATA AND RANGE OF USE</b>	15
5. <b>MANAGEMENT</b>	17
5.1. <b>Storage</b>	17
5.2. <b>Transport</b>	17
5.3. <b>Weights</b>	17
6. <b>WARNINGS</b>	17
6.1. <b>Skilled personnel</b>	17
6.2. <b>Safety</b>	18
6.3. <b>Checking motor shaft rotation</b>	18
6.4. <b>Responsibility</b>	18
7. <b>INSTALLATION</b>	18
8. <b>ELECTRICAL CONNECTION</b>	18
9. <b>STARTING UP</b>	19
10. <b>PRECAUTIONS</b>	19
11. <b>MAINTENANCE AND CLEANING</b>	19
12. <b>MODIFICATIONS AND SPARE PARTS</b>	19
12.1 <b>Removal and replacement of the supply cable</b>	19
13. <b>TROUBLESHOOTING</b>	21
1. <b>GENERAL</b>	



**Read this documentation carefully before installation.** Installation and functioning must comply with the safety regulations in force in the country in which the product is installed. The entire operation must be carried out in a workmanlike manner.

Failure to comply with the safety regulations not only causes risk to personal safety and damage to the equipment, but invalidates every right to assistance under guarantee.

## 2. APPLICATIONS

**KP 38/18 - KP 38/18 pred. - KP 60/6 - KP 60/12:** Peripheral pump suitable for domestic use, with limited bulk, capable of generating high heads for water supply, small gardening jobs, draining and filling cisterns. Also suitable for small industrial uses.

**KPA 40/20:** liquid ring pump with star-shaped impeller, with excellent suction capacities even in the presence of air bubbles or when the fluid to be lifted is not continuously available. Used particularly for supplying water to household systems, for increasing pressure or stabilising the water supply (in compliance with local regulations) and for lifting water from wells. Suitable for small irrigation work in gardens and in general for all applications where a self-priming pump is required. It can also satisfy small industrial applications.

**JET 200 - JET 300 - JET 151 - JET 251:** Self-priming centrifugal jet pumps with excellent suction capacity, even when gas is present in the water. Particularly suitable for water supply uses and for pressurization in the home. Suitable for small farming applications, market gardens, gardening, emergencies in the home and industrial utilities.

**DP 81 - DP 82 - DP 100 - DP 102 - DP 151 - DP 251 - AQUADP 82/20 - AQUADP 102/20 - AQUADP 151/40 - AQUADP 251/40 :** Self-priming centrifugal pumps for suction at depths of as many as 30 metres with ejector to be fitted in 4" wells or larger. Used for supplying water to farm houses and in small farming applications.

**EURO - EUROINOX and derived models:** Self-priming multistage centrifugal pump with horizontal action, suitable for domestic or industrial uses, for water supply systems and pressurization. In farming it is ideal for small irrigation work and for washing tools and machinery. Also suitable for water containing gas. Water is recycled only during the priming stage, after which the maximum flow is made available for use with continuous and constant distribution. These qualities allow vast possibilities for use.

**K 20/41 - K 30/70 - K 30/100 - K 36/100 - K 12/200 - K 14/400:** Single-impeller centrifugal pumps suitable for lifting water for domestic, industrial and agricultural use. Excellent for transfer and mixing operations.

**K 35/40 - K 45/50 - K 55/50 - K 35/100 - K 40/100:** Centrifugal pumps characterized by the use of two impellers (opposed for models K 35/40 - K 45/50 - K 55/50), with extremely silent operation. Particularly suitable for use in pressurization units for water supply systems and for feeding autoclaves. Also suitable for sprinkling irrigation and many other uses in the most varied fields of application.

## 3. PUMPED FLUIDS



**The machine has been designed and built for pumping water, free from explosive substances and solid particles or fibres, with a density of 1000 kg/m<sup>3</sup> and a kinematic viscosity of 1 mm<sup>2</sup>/s, and chemically non-aggressive liquids.**

## 4. TECHNICAL DATA AND RANGE OF USE

- **Supply voltage:** 220 - 240V 50Hz / 110V 50Hz  
115V 60Hz / 230V 60Hz  
230 V3 – 400 V3 50/60Hz  
127 V 60 Hz
  - **Absorbed power:** see electrical data plate
- | see electrical data plate

- **Delivery:** from 0,06 to 37 m<sup>3</sup>/h
- **Head up – Hmax (m):** pag. 132
- **Pumped liquid:** clean, free from solid bodies or abrasive substances, non-aggressive.
- **Degree of motor protection:** IP44 (For IP55 see plate on package)
- **Degree of terminal board protection:** IP55
- **Protection class:** F
- **Cable clamp:** PG 11 and/or PG 13.5, depending on models
- **Line fuses AM class:**

Model	Line fuses(Amps)			
	110V 50Hz 115V 60Hz 127 V 60 Hz	220-240V 50Hz 230V 60Hz	230 V3 50/60Hz	400 V3 50/60Hz
KP 38/18, KP 38/18 Pred., KP 60/6, DP 81, DP 82, AQUADP 82/20 K 20/41	8	4	4	2
KPA 40/20	8	6	4	2
KP 60/12;	--	6	4	4
EURO 40/30-40/306 / 30/50-30/506 / 25/80-25/806 EUROINOX 40/30-40/306 / 30/50-30/506 / 25/80-25/806 EUROCOM 25/80-25/806 / 30/50-30/506 EUROCOM SP 30/50-30/506	10	6	4	4
EURO 25/30-25/306 / 30/30-30/306 EUROINOX 25/30-25/306 / 30/30-30/306 EUROCOM 25/30-25/306 / 30/30-30/306 GARDEN-INOX 30/30	8	4	4	4
EURO 40/50-40/506 / 30/80-30/806 EUROINOX 40/50-40/506 / 30/80-30/806 EUROCOM 40/50-40/506 / 30/80-30/806 EUROCOM SP 40/50-40/506 GARDEN-INOX 40/50	12	6	6	4
EURO 50/50-50/506 / 40/80-40/806 EUROINOX 50/50-50/506 / 40/80-40/806	20	8	6	4
K 12/200, K 30/70, K 35/40, DP 100, DP 102, AQUADP 102/20, KE 35/40	12	6	6	4
K 30/100	16	8	6	4
JET 151, K 35/100	20	10	6	4
K 40/100, K 36/100, K45/50, DP 151, AQUADP 151/40, KE 45/50	20	10	8	4
JET 200, K 14/400	20	10	8	6
JET 251	25	12	8	6
JET 300, K 55/50, DP 251, AQUADP 251/40, KE 55/50	32	16	10	6
<b>Maximun operating pressure:</b>	6 bar (600 kPa):	DP 81, DP 82, DP 100, DP 102, AQUADP 82/20, AQUADP 102/20 EURO, EUROINOX, EUROCOM, EUROCOM SP, GARDEN-INOX K 35/40, K 35/100, K 40/100, K 20/41, K 30/70, K 30/100, K 36/100, K 12/200, K 14/400, KE 35/40		
	7,5 bar (750 kPa):	JET 151, JET 251, JET 200, JET 300 DP 151, DP 251, AQUADP 151/40, AQUADP 251/40		
	8 bar (800 kPa):	K 45/50, K 55/50, KE 45/50, KE 55/50		
	10 bar (1000 kPa):	KP 60/6, KP 60/12, KP 38/18 KPA 40/20		
<b>Liquid temperature range:</b>	0 ÷ +35°C:	For all homologated pumps EN 60335-2-41 (for domestic uses)		
	0 ÷ +40°C:	JET 151, JET 251, JET 200, JET 300 DP 81, DP 82, DP 100, DP 102, DP 151, DP 251 AQUADP 82/20, AQUADP 102/20, AQUADP 151/40, AQUADP 251/40		
	-10 ÷ +50°C:	K 20/41, K 30/70, K 30/100, K 36/100, K 12/200, K 35/40, K 45/50, K 35/100, K 40/100 KP 38/18, KE 35/40, KE 45/50		
	-10 ÷ +80°C:	KP 60/6, KP 60/12 KPA 40/20		
	-15 ÷ +110°C:	K 14/400, K 55/50, KE 55/50		

- **Storage temperature:** -10°C to +40°C
- **Relative humidity of the air:** MAX. 95%
- **Noise level:**
  - For pumps intended for outdoor use: noise emission according to Directive 2000/14/CE.
  - For other pumps: noise emission according to Directive EC 89/392/CEE and subsequent amendments.
- **Motor construction in conformity with standards CEI 2-3 - CEI 61-69 (EN 60335-2-41).**
- **The leads of the supply cables must have a rated section no smaller than that illustrated in the following table:**

Rated current: of the appliance A		Rated section mm <sup>2</sup>
	≤ 0,2	Flat twin tinsel cord <sup>a</sup>
> 0,2	and ≤ 3	0,5 <sup>a</sup>
> 3	and ≤ 6	0,75
> 6	and ≤ 10	1,0 (0,75) <sup>b</sup>
> 10	and ≤ 16	1,5 (1,0) <sup>b</sup>
> 16	and ≤ 25	2,5
> 25	and ≤ 32	4
> 32	and ≤ 40	6
> 40	and ≤ 63	10
<sup>a</sup> These cables may be used only if their length does not exceed 2 m between the point in which the cable or its sheath enters the appliance and its entry in the plug. <sup>b</sup> The cables with the sections indicated in brackets may be used for <b>mobile appliances</b> if their length does not exceed 2 m.		

## 5. MANAGEMENT

### 5.1 Storage

All the pumps must be stored indoors, in a dry, vibration-free and dust-free environment, possibly with constant air humidity.

They are supplied in their original packaging and must remain there until the time of installation. If this is not possible, the intake and delivery aperture must be accurately closed.

### 5.2 Transport

Avoid subjecting the products to needless jolts or collisions.

To lift and transport the unit, use lifting equipment and the pallet supplied standard (if applicable).

### 5.3 Weights

The adhesive label on the package indicates the total weight of the electropump.

## 6. WARNINGS

### 6.1 Skilled technical personnel



**It is advisable that installation be carried out by skilled personnel in possession of the technical qualifications required by the specific legislation in force.**

The term **skilled personnel** means persons whose training, experience and instruction, as well as their knowledge of the respective standards and requirements for accident prevention and working conditions, have been approved by the person in charge of plant safety, authorizing them to perform all the necessary activities, during which they are able to recognize and avoid all dangers. (Definition for technical personnel IEC 364).

The appliance is not intended to be used by persons (including children) with reduced physical, sensory or mental capacities, or who lack experience or knowledge, unless, through the mediation of a person responsible for their safety, they have had the benefit of supervision or of instructions on the use of the appliance. Children should be supervised to ensure that they do not play with the appliance.

<b>Modello / Modèle / Model Modell / Model / Modelo / Modell Model / Модель / Μοντέλο مماؤم / Malli / Model / Model / Modell</b>	<b>Prevalenza / Hauteur d'élévation / Head up Förderhöhe / Overwicht / Prevalencia Maximal pumphöjd / Manometrik yükseklik / Hanop Μανομετρικό / التفتوق / Nostokorkeus / Wysokość ciśnienia / Napor / Emelési magasság</b>	
	<b><i>Hmax (m.) 2 poles 50 Hz</i></b>	<b><i>Hmax (m.) 2 poles 60 Hz</i></b>
JET 200	46.5	42.3
JET 300	51	52
JET 151	61	62
JET 251	62	63
EURO 15/30	24.3	
EURO 20/50	28.5	
EURO 25/30 – 25/306	34.4	35.9
EURO 30/30 – 30/306	46	48.2
EURO 40/30 – 40/306	57	58.8
EURO 30/50 – 30/506	42.2	38.8
EURO 40/50 – 40/506	57.7	55
EURO 50/50 – 50/506	72	66.1
EURO 25/80 – 25/806	34	35.8
EURO 30/80 – 30/806	47.3	49.5
EURO 40/80 – 40/806	59	62
EUROINOX 15/30	24.3	
EUROINOX 20/50	28.5	
EUROINOX 25/30 – 25/306	35	35.9
EUROINOX 30/30 – 30/306	46	49
EUROINOX 40/30 – 40/306	57	58.8
EUROINOX 30/50 – 30/506	42.2	38.8
EUROINOX 40/50 – 40/506	58	54
EUROINOX 50/50 – 50/506	72	66
EUROINOX 25/80 – 25/806	34	37
EUROINOX 30/80 – 30/806	47.3	52
EUROINOX 40/80 – 40/806	59	60
EUROCOM 25/30 – 25/306	34.4	35.9
EUROCOM 30/30 – 30/306	46	48
EUROCOM 30/50 – 30/506	42.2	38.8
EUROCOM 40/50 – 40/506	57.7	54
EUROCOM 25/80 – 25/806	34	35.8
EUROCOM 30/80 – 30/806	47.3	49.2
EUROCOM SP 30/50 – 30/506	42.2	38.8
EUROCOM SP 40/50 – 40/506	57.7	53.8
GARDEN-INOX 30/30	46	
GARDEN-INOX 40/50	57.7	
K 20/41	22	24.1
K 30/70	32.5	33
K 30/100	29.2	30.8
K 36/100	34.9	36.4
K 12/200	18.4	19.2
K 14/400	19	18.5
K 35/40	44	44.4
K 45/50	51	53.5
K 55/50	62	60



<b>Modello / Modèle / Model  Modell / Model / Modelo / Modell  Model / Модель / Μοντέλο  نموذج /Malli / Model / Model /  Modell</b>	<b>Prevalenza / Hauteur d'élévation / Head up  Förderhöhe / Overwicht / Prevalencia  Maximal pumphöjd / Manometrik yükseklik / Hanop  Μανομετρικό / التفتوق / Nostokorkeus / Wysokość ciśnienia / Napor / Emelési  magasság</b>	
	<b><i>Hmax (m.) 2 poles  50 Hz</i></b>	<b><i>Hmax (m.) 2 poles  60 Hz</i></b>
K 35/100	38.5	37.5
K 40/100	44	46.2
KP 38/18	52	52
KP 60/6	87	82
KP 60/12	107	103
KPA 40/20	56	
KE 35/40	44	44.4
KE 45/50	51	53.5
KE 55/50	62	60





---

**DAB PUMPS LTD.**

Units 4 & 5, Stortford Hall Industrial Park,  
Dunmow Road, Bishop's Stortford, Herts  
CM23 5GZ - UK  
salesuk@dwtgroup.com  
Tel.: +44 1279 652 776  
Fax: +44 1279 657 727

**DAB PUMPS B.V.**

Brusselstraat 150  
B-1702 Groot-Bijgaarden - Belgium  
info.belgium@dwtgroup.com  
Tel.: +32 2 4668353  
Fax: +32 2 4669218

**PUMPS AMERICA, INC. DAB PUMPS DIVISION**

3226 Benchmark Drive  
Ladson, SC 29456 USA  
info.usa@dwtgroup.com  
Ph. : 1-843-824-6332  
Toll Free: 1-866-896-4DAB (4322)  
Fax : 1-843-797-3366

**OOO DWT GROUP**

100 bldg. 3 Dmitrovskoe highway,  
127247 Moscow - Russia  
info.russia@dwtgroup.com  
Tel.: +7 495 739 52 50  
Fax: +7 495 485-3618

**DAB POLAND - Representative Office**

Mokotow Marynarska  
Ul. Postepu 15c - 3rd Floor  
02-676 Warsaw - POLAND  
Tel. +48 223 81 6085

**DAB PUMPS CHINA**

No.40 Kaituo Road, Qingdao Economic &  
Technological Development Zone  
Qingdao City, Shandong Province, China  
PC: 266500  
info.china@dwtgroup.com  
Tel.: +8653286812030-6270  
Fax: +8653286812210

**DAB PUMPS IBERICA S.L.**

Avenida de Castilla nr.1 Local 14  
28830 - San Fernando De Henares - Madrid  
Spain  
info.spain@dwtgroup.com  
Ph.: +34 91 6569545  
Fax: +34 91 6569676

**DAB PUMPS B.V.**

Albert Einsteinweg, 4  
5151 DL Drunen - Nederland  
info.netherlands@dwtgroup.com  
Tel.: +31 416 387280  
Fax: +31 416 387299

**DWT South Africa**

Podium at Menlyn, 3rd Floor, Unit 3001b,  
43 Ingersol Road, C/O Lois and Atterbury,  
Menlyn, Pretoria, 0181 South-Africa  
info.sa@dwtgroup.com  
Tel +27 12 361 3997  
Fax +27 12 361 3137

**DAB PUMPEN DEUTSCHLAND GmbH**

Tackweg 11  
D - 47918 Tönisvorst - Germany  
info.germany@dwtgroup.com  
Tel.: +49 2151 82136-0  
Fax: +49 2151 82136-36

**DAB UKRAINE Representative Office**

Regus Horizon Park  
4M. Hrinchenka St, suit 147  
03680 Kiev. UKRAINE  
Tel. +38 044 391 59 43

**DAB PRODUCTION HUNGARY KFT.**

H-8800  
NAGYKANIZSA, Buda Ernó u.5  
HUNGARY  
Tel. +36.93501700

**DAB PUMPS S.p.A.**

Via M. Polo, 14 - 35035 Mestrino (PD) - Italy  
Tel. +39 049 5125000 - Fax +39 049 5125950  
www.dabpumps.com