



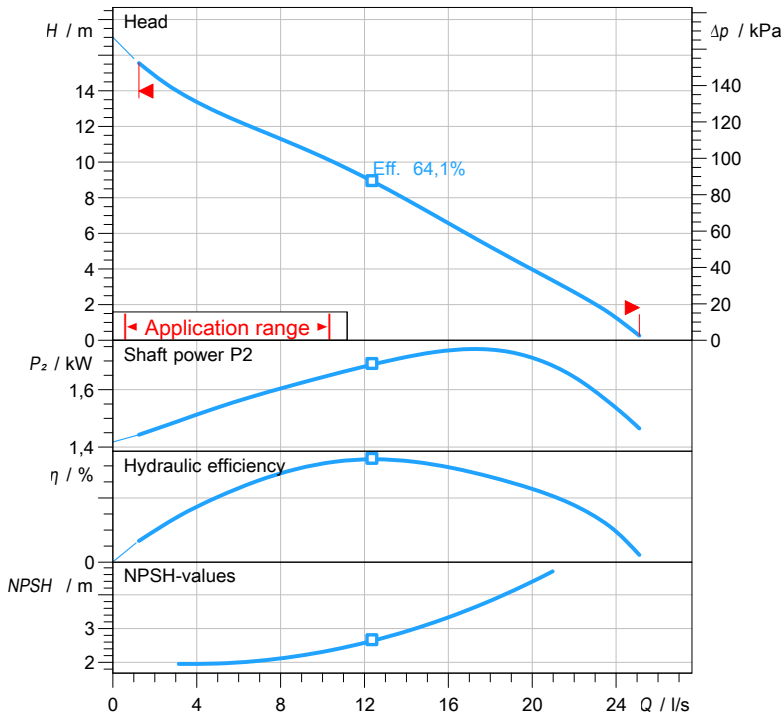
water solutions

Data sheet

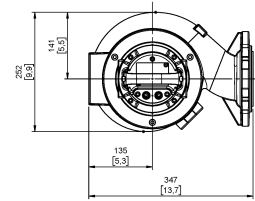
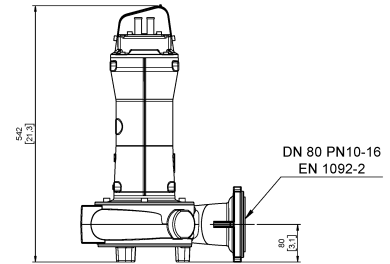
DRG 250/2/80 L0AT5


GREY
series

Technical specification

3~ 50 Hz


Characteristic curves according to UNI EN ISO 9906:2012
P2 < 10kW: paragraph 4.4.2
10kW < P2 < 100kW: Grade 3B
P2 > 100kW: Grade 2B



[mm]

Pump

| | |
|---------------|--|
| Series | GREY series |
| Pump name | DRG 250/2/80 L0AT5 |
| Configuration | NGTSB51040N00EX |
| Standard | ATEX 2014/34/EU |
| ATEX mark | II 2G Ex db IIB T4 Gb Ex h IIB T4 Gb |

Operating limits (standard pumps)

| | |
|---|------------------------|
| Max. ambient temperature | 40 °C |
| Max. density treated liquid | 1100 kg/m ³ |
| pH treated liquid | 6 ÷ 14 |
| Max. start per hour (equally distributed) | 30 |
| Wet/dry use | WET |
| Max. acoustic pressure level | 70 dB |
| Operating mode | S1 - Continuous use |

Motor data

| | |
|----------------------|-----------------|
| Rated voltage | 400 V |
| Frequency | 50 Hz |
| Motor phases | 3~ |
| Number of poles | 2 |
| Rated power P2 | 1,80 kW |
| Incoming power P1 | 2,19 kW |
| Rated current | 3,7 A |
| rpm | 2794 1/min |
| Efficiency | 82,3 % |
| cos φ | 0,853 |
| Rated torque | 6,2 Nm |
| Start | Direct starting |
| Starting current | 21,9 A |
| Degree of protection | IP 68 |
| Insulation class | H |
| Capacitor | |
| Starting Capacitor | |

Construction materials

| | |
|------------------|-------------------------------------|
| Case | Cast iron EN-GJL 250 |
| Shaft | Stainless steel AISI 431 |
| Hydraulic | Cast iron EN-GJL 250 |
| Impeller | Cast iron EN-GJL 250 |
| Painting/Coating | Bi-epoxy 200 μm sea water resistant |
| Screws | Stainless steel - Class A2-70 |
| Gaskets | NBR |
| Cutter | Chromium steel - X102 CrMo17 KU |
| Cutting disk | Chromium steel - X102 CrMo17 KU |

Construction features

| | |
|---------------------|---------------------------------------|
| Cooling system | No cooling jacket |
| Main cable | 4G1 |
| Cable length | 10 mt |
| Mechanical seals | 2 in silicon carbide (2SiC) |
| Additional drilling | - |
| Weight* | 36 kg |
| Electrical variant | Thermal protection and leakage sensor |

* cable, stand and guiding system excluded

Hydraulic

| | |
|---------------------------|-------------------------|
| Type | DR (Multi-channel open) |
| Free passage | 35 x 30 mm |
| Impeller type | Open channel impeller |
| Max. hydraulic efficiency | 64,1 % |
| Suction | DN 80 UNDRILLED |
| Discharge | DN 80 EN 1092-2 |

Rev. 0 - 16-12-2014

All data shown are not binding. Zenit reserves the right to change data and dimensions without notice.

Created on 2019-11-05

zenit.com

Page 1 / 3



water solutions

Data sheet DRG 250/2/80 L0AT5

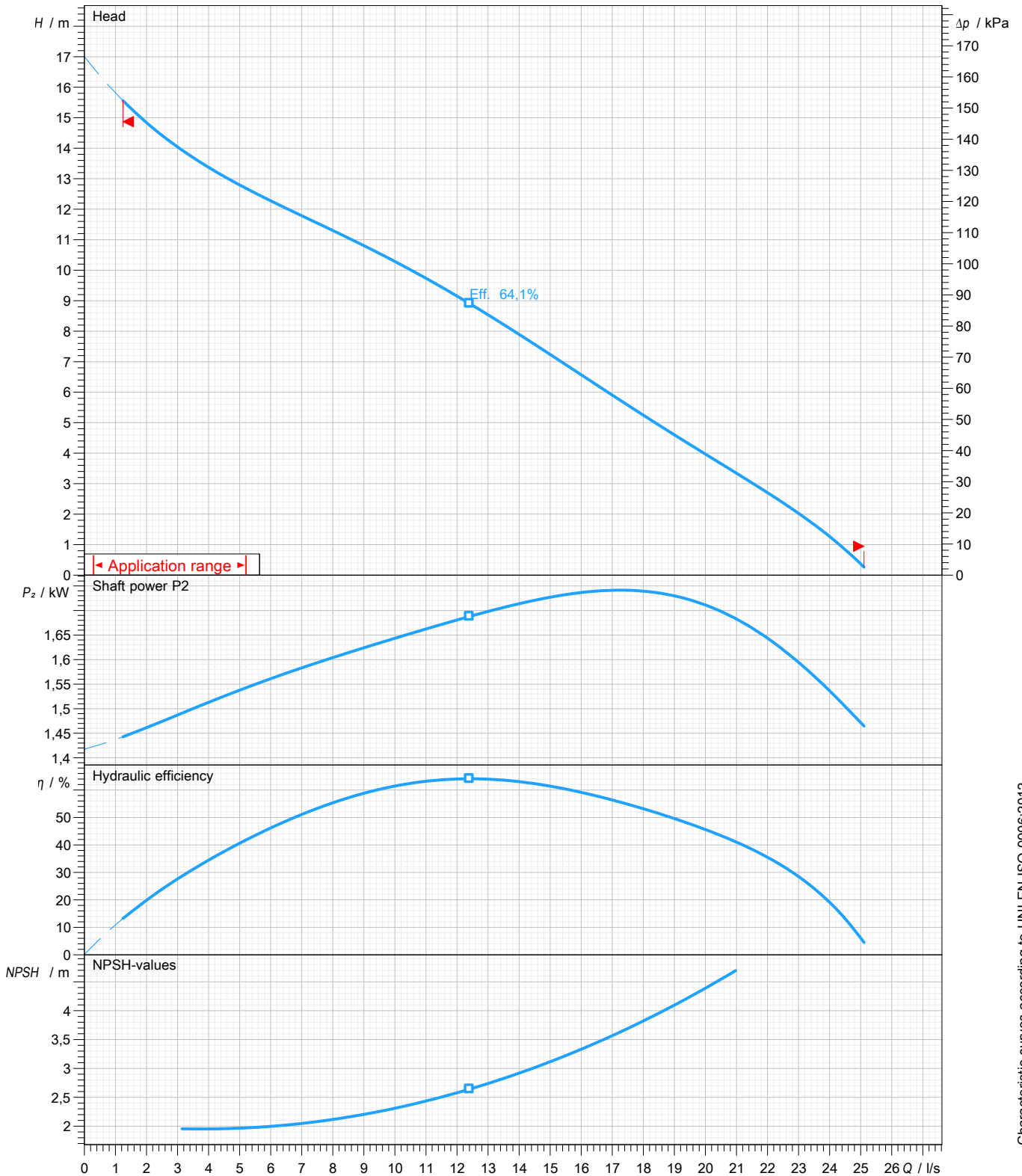


GREY
series

Pump performance curves

3~ 50 Hz

| | | | | | |
|--|---|-----------------------------------|-----------------------------|---|--|
| Hydraulic type DR (Multi-channel open) | Impeller type Open channel impeller | Free passage 35 x 30 mm | Discharge DN 80 | Suction DN 80 | |
| DUTY POINT | | | | | |
| Flow | Head | Shaft power P2 | Hydraulic efficiency | Density 998,3 kg/m ³ | Viscosity 1,005 mm ² /s |



Characteristic curves according to UNI EN ISO 9906:2012
P2<10kW: paragraph 4.4.2
10kW<P2<100kW: Grade 3B
P2>100kW: Grade 2B



water solutions

Data sheet DRG 250/2/80 L0AT5

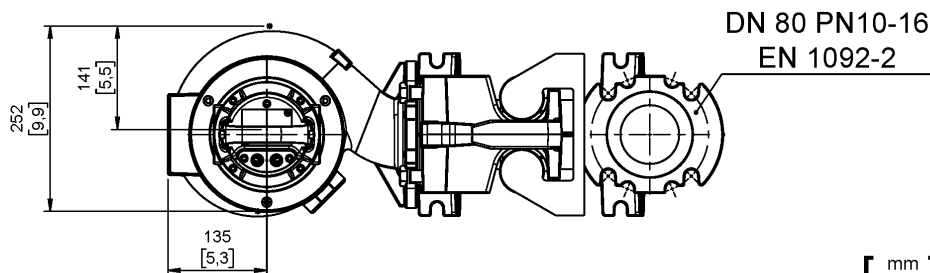
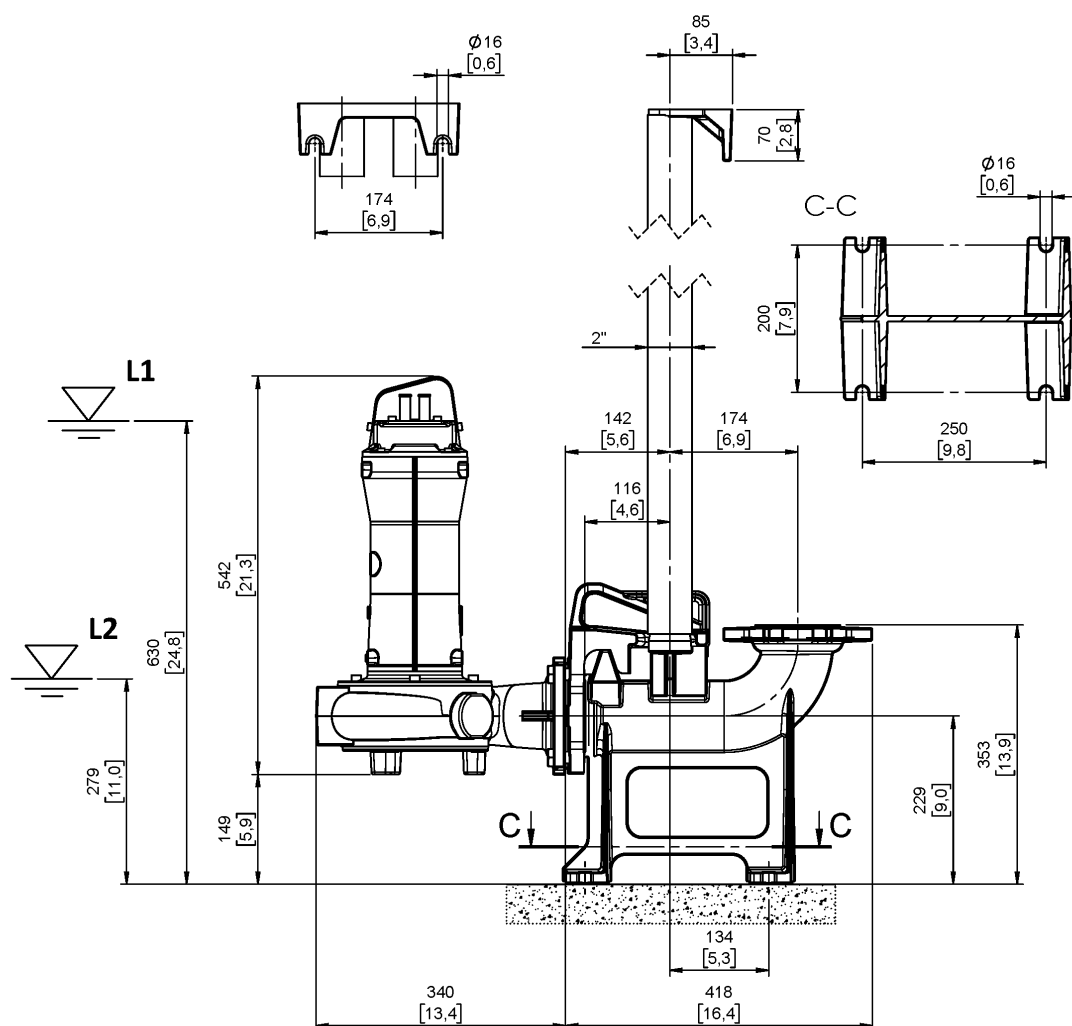


GREY
series

Dimensional drawing

3~ 50 Hz

| | | |
|--|-----------------------------------|---|
| Installation type Installation with bottom coupling device - Vertical outlet | | |
| Wet/dry use WET | Drilling variant N | Flushing valve - drilling - |
| Discharge DN 80 EN 1092-2 | Suction DN 80 UNDRILLED | Pressure rating (suction/discharge) -/PN 10 |
| Accessory DAC 80/80V+KAF 116-2" EN (P) | | Accessory code 9001.032 |
| Note: Accessory must be ordered separately | | |



[mm
[inch]

L1: Minimum operating level for continuous use

L2: Minimum operating level for discontinuous use