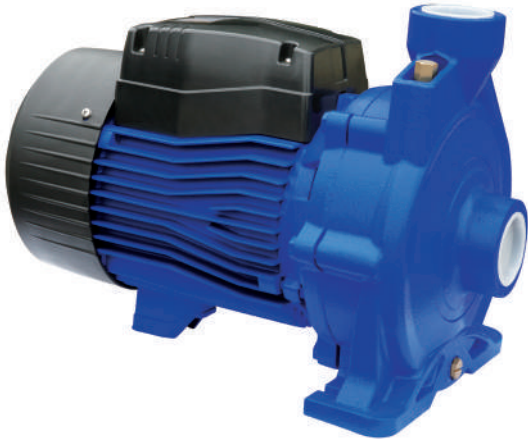


PRODUCT DATA SHEET

BIANCO - FC300T • 802808

PRODUCT DETAILS

The BIANCO FC300T is a robust cast iron, single stage, horizontal end suction centrifugal pump. Manufactured using high quality materials and components BIANCO FC Series are quiet and reliable offering 'best in class' high performance operation.



APPLICATIONS

- Transfer of clean water or other liquids similar to water in physical and chemical properties.
- Ideal for use in agriculture, horticulture or other industrial services
- Wash-down, tank filling, water transfer, HVAC, circulation, fire fighting, pressure boosting.

FEATURES

- 400V three phase TEFC motor with in-built auto reset thermal overload to prevent pump from damage
- Excellent motor and hydraulic efficiency
- Electrochemical **cataphoresis** treatment applied to the pump body for enhanced corrosion resistance

To protect the pump from excessive cycling and to isolate from the effects of water hammer, adding a pressure tank to the system is highly recommended

BRAND

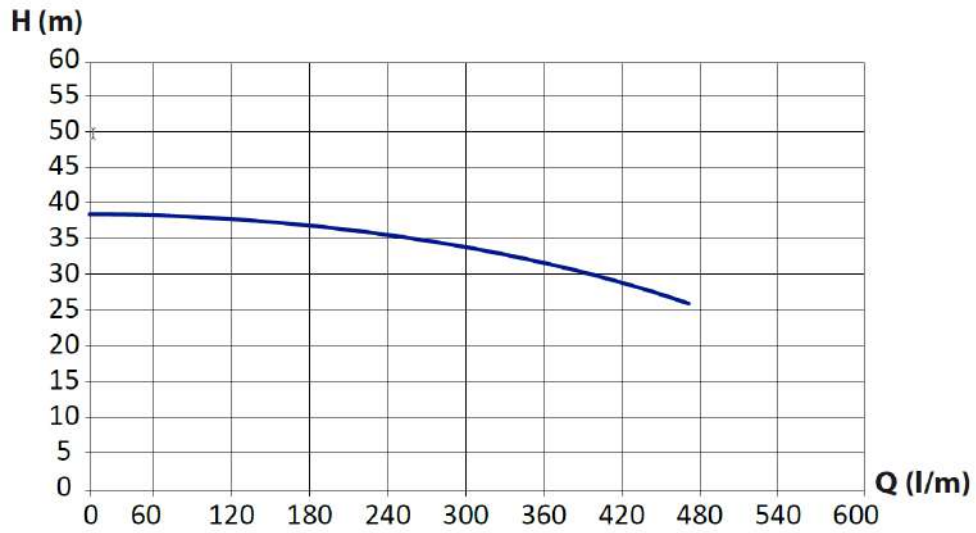
BIANCO
PUMPZ

TECHNICAL DATA

RATED POWER (P2)	3kW (4.0hp)
MAX. FLOW [LPM]	450 LPM
MAX. HEAD [M]	38m
MAX. PRESSURE RATING	8 bar
FLUID TEMP RANGE	4 - 60 deg C
MAX. AMBIENT TEMP	40 deg C
MOTOR RATING	Continuous
MOTOR INSULATION	Class F
PUMP BODY	Cast Iron HT200
MOTOR SHAFT AND IMPELLER	304 grade stainless steel
MECHANICAL SEAL	Carbon / Ceramic
O RINGS	Nitrile

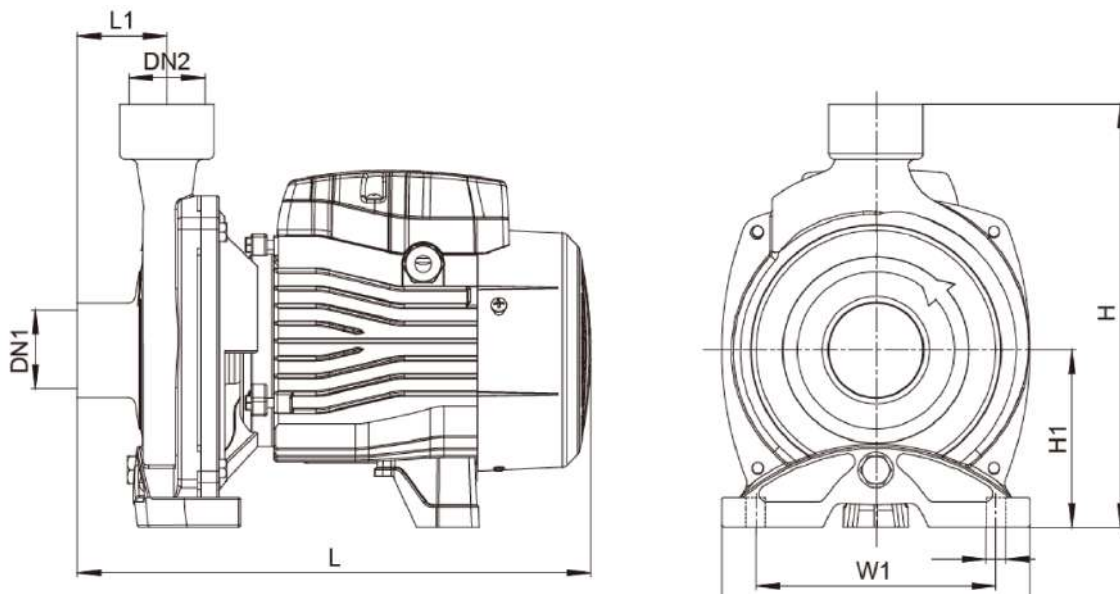
RATED VOLTAGE (V)	3 ph 380V (-6%) to 415V (+6%) 50 hz
RATED CURRENT (A)	8.2A
RATED SPEED (RPM)	2800 - 2 pole
MOTOR TYPE	Asynchronous, TEFC
IP RATING	I.P. 44
SUCTION CONNECTION	2" BSPF
DISCHARGE CONNECTION	2" BSPF
AUTOMATIC OPERATION	No - bare pump only
MOTOR PROTECTION	Auto re-setting thermal overload
CARTON DIMENSIONS	507mm L x 304mm W x 372mm H
GROSS WEIGHT (KG)	41.8kg

CURVE



BIA-FC300T

DIMENSIONS



MODEL	L	W	H	L1	W1	H1	Bolt Hole Ø	DN1	DN2
BIA - FC300T	444mm	255mm	215mm	65mm	186mm	132mm	10mm	2" BSPF In	2" BSPF Out

WARRANTY / CERTIFICATIONS

