

### PRODUCT DETAILS

The BiANCO NXT INOX60 is a stainless steel jet pump with an internal venturi which enables water to be drawn from below ground level.

Equally comfortable pumping from a tank, boosting low pressure water supply or working in conjunction with a rainwater changeover device.

Supplied with a pre-wired NXT LITE pressure controller, connect the inlet and outlet pipes, fill the pump with water and you're ready to go.

### APPLICATIONS

- Household water supply - small dwellings
- Light garden irrigation
- Water transfer
- Washing systems
- Pressure boosting

### FEATURES

- Pump controller pre-set to start once the pressure falls below 2.2 bar. User adjustment of start pressure
- Corrosion resistant pump body, diffuser and impeller to ensure pump durability
- High quality bearings and mechanical shaft seal
- 240V single phase TEFC motor with in-built auto reset thermal overload to prevent the pump from overheating
- Automatic pump starting, stopping and restart after power loss and/or water loss
- Inbuilt dry-run protection

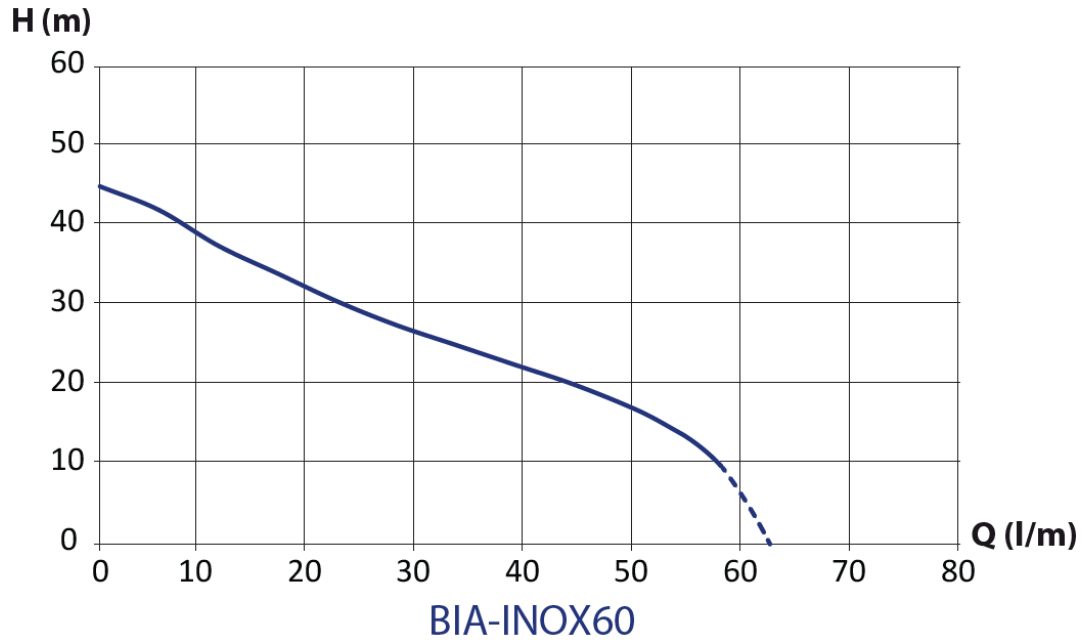


### TECHNICAL DATA

<b>OUTPUT POWER (KW)</b>	0.60kW P2
<b>MAX. HEAD [M]</b>	43M
<b>MAX. FLOW L/MIN</b>	62 l/min
<b>MAX PRESSURE</b>	Pump: 8 bar, Controller 10 bar
<b>LIQUID TEMPERATURE</b>	2 - 40 deg C
<b>MOTOR</b>	Asynchronous TEFC
<b>MOTOR INSULATION</b>	F Class insulation
<b>MOTOR PROTECTION</b>	In-built thermal overload
<b>PROTECTION CLASS</b>	IPX5
<b>PRESSURE TANK</b>	3, 8 or 18 litre recommended

<b>RATED VOLTAGE</b>	220 - 240V 1Ph 50 Hz
<b>RATED CURRENT</b>	4A
<b>CAPACITOR</b>	16uF 450V
<b>POWER CABLE</b>	1.5m long 10 amp rated H05 flex 10 amp 3 pin plug
<b>AUTOMATIC OPERATION</b>	Yes - NXT LITE
<b>PUMP BODY</b>	304 Grade Stainless Steel
<b>INTERNALS</b>	Composite impeller / diffusers
<b>MECHANICAL SEAL</b>	Silicon Carbide/Carbon
<b>PACKAGE DIMENSION</b>	420 X 230 X 460MM
<b>GROSS WEIGHT (KG)</b>	11.5kg

## CURVE

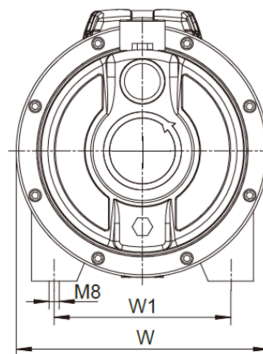
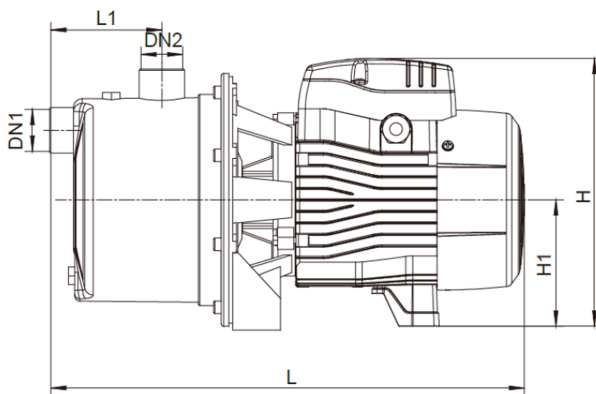


## DIMENSIONS

### Height incl Controller

Including Union: Nominal 468mm

Union removed: Nominal 405mm



Model	DN1	Dn2	L (mm)	W (mm)	H (mm)	L1 (mm)	W1 (mm)	H1 (mm)
<b>Inox 60</b>	G1"	G1"	385	205	200	100	140	95

## WARRANTY / CERTIFICATIONS

