



The pump is a self-priming surface mounted pressure system pump supplied with plug and play leads (IEC type) wired and ready to install. The self-priming ability provides excellent suction capacity of up to 9m.

The pump is characterised by

- Corrosion resistant pump body, diffuser and impeller to ensure pump durability
- Cataphoresis¹ treatment of pump body for rust prevention to ensure no water discoloration or suspended particles
- Automatic electronic pump control fitted and wired with plug and play leads so a licensed electrician is not required during installation.
- Includes fully electronic pump controller for automatic pump starting, stopping and restart after power loss and water loss.
- Run dry protection to prevent pump damage
- Automatic electronic control has in-built check valve to prevent water backflow through the pump.
- High quality mechanical shaft seal and high quality bearings
- 240V single phase TEFC motor with in-built auto reset thermal overload to prevent the pump from overheating.
- AS/NZS 4020 Drinking Water Approved for consumer peace of mind

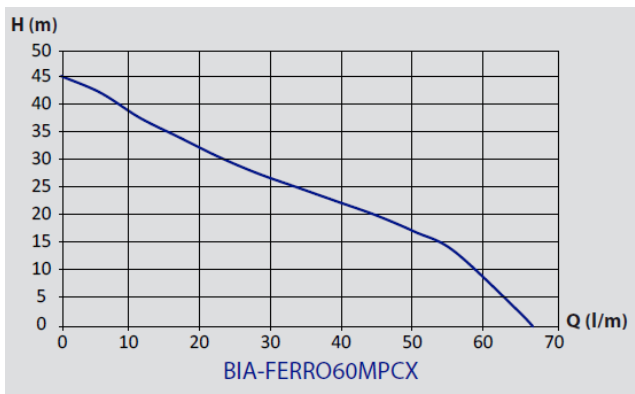
1. Cataphoresis is an electrochemical coating process for metallic surfaces widely used in the industry due to its penetration and long life, either as a priming coat or finished paint for corrosion resistance.

Applications:

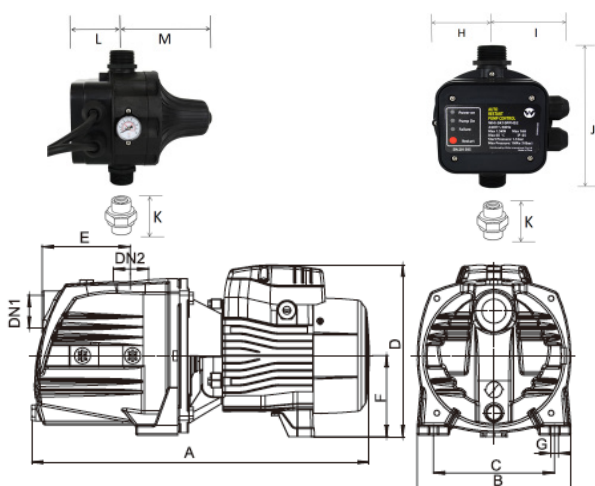
Suitable for supplying water to domestic households. Also suitable for small scale garden irrigation.

Package Information

18kg
 L 455mm x H 469mm x W 215mm



Liquid:	Electrical data:
Liquid Type: Clean Water Clean water temperature range: 2 – 40°C	Rated voltage: 220 (-6%) -240V (+6%) Mains frequency: 50 Hz P2 (kW): 0.6 (Shaft Power) Current: 4.5 amps Capacitor: 12 uF Motor duty: Continuous
Materials:	Motor type: Asynchronous, TEFC Motor protection: In-built thermal overload Ingress protection: IP X4 Insulation class: F Net weight: <u>15.5</u> kg
Pump Body: Cast iron HT200 Impeller: Stainless Steel 304 Jet/Venturi, Diffuser :Noryl Glass Reinforced Mechanical seal: Carbon/Ceramic/Nitrile O rings: Nitrile Power Cable: 2m Cable H05 3G1.0	Hydraulic Data:
Installation:	Max Head: 45m Max Flow: <u>63</u> l/min Number taps: 4
Maximum ambient temperature: 40oC Maximum operating pressure: 8 bar Pipe connections suction/discharge: 1" BSPF / 1" BSPM	



DN1	DN2	A (mm)	B (mm)	C (mm)	D (mm)	E (mm)	F (mm)
1"	1"	418	190	150	212	113	100

G (mm)	H (mm)	I (mm)	J (mm)	K (mm)	L (mm)	M (mm)
10	64	81	177	70	62	116



www.whiteint.com.au
 www.whiteint.co.nz