



better together

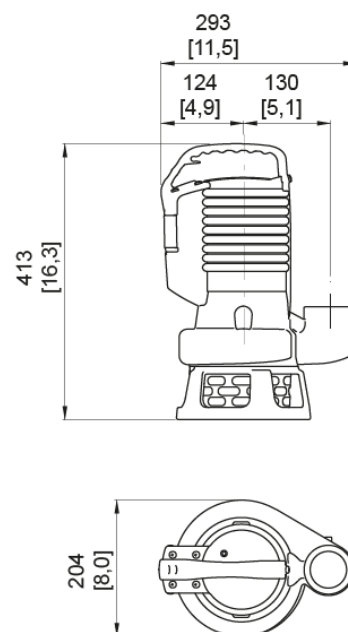
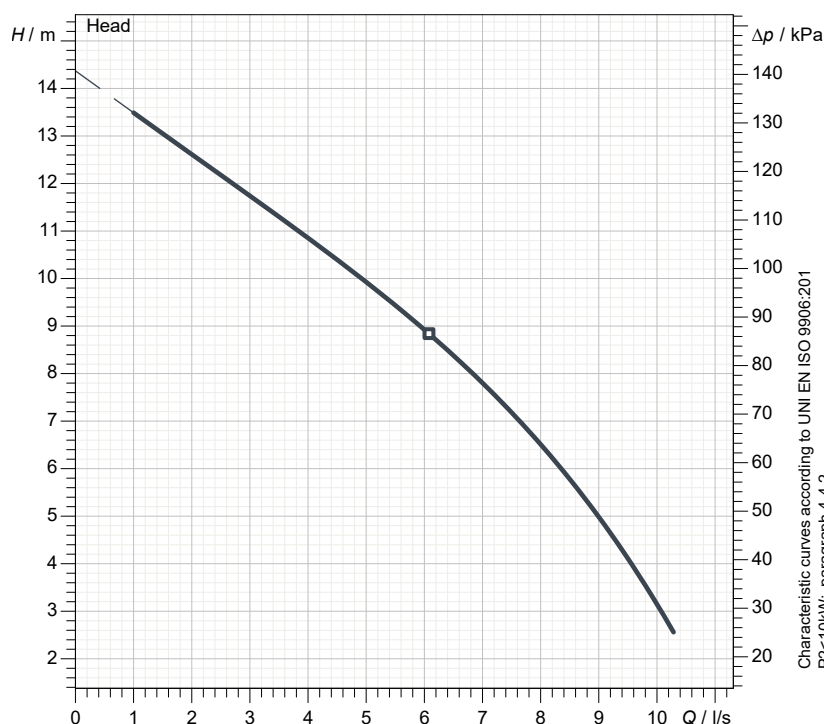
Data sheet

DR BluePRO 150/2/G50V A1CM5

blue
PROFESSIONAL
series

Technical specification

1~ 50 Hz



[mm]
[inch]

Pump

Series	BluePRO series
Pump name	DR BluePRO 150/2/G50V A1CM5
Configuration	NGTGB51H23N00CX
Standard	IEC 60079-0, IEC 60079-15
IECEX mark	Ex nA nC IIC T3 Gc

Operating limits (standard pumps)

Max. ambient temperature	40 °C
Max. density treated liquid	1100 kg/m ³
pH treated liquid	6 ÷ 14
Max. start per hour (equally distributed)	30
Wet/dry use	WET
Max. acoustic pressure level	70 dB
Operating mode	S1 - Continuous use

Motor data

Rated voltage	230 V
Frequency	50 Hz
Motor phases	1~
Number of poles	2
Rated power P2	1.10 kW
Incoming power P1	1.64 kW
Rated current	7.50 A
rpm	2900 1/min
cos φ	0.95
Rated torque	3.6 Nm
Start	
Degree of protection	IP 68
Insulation class	F

Construction materials

Case	Cast iron EN-GJL 250
Shaft	Stainless steel AISI 431
Hydraulic	Cast iron - EN-GJL 250
Impeller	Cast iron - EN-GJL 250
Painting/Coating	Bi-epoxy 120 μm
Screws	Stainless steel - Class A2-70
Gaskets	NBR
Foot base (if present)	Cast iron - EN-GJS 600
Strainer	Polypropylene

Hydraulic

Type	DR (Multi-channel open)
Free passage	30 x 10 mm
Impeller type	Open channel impeller
Suction	-
Discharge	G 2" -
Curve tolerance	UNI EN ISO 9906:2012

Construction features

Main cable	3G1
Control cable	-
Cable length	10 mt - Shuko plug
Mechanical seals	2 in silicon carbide (2SiC)
Additional drilling	-
Weight*	23 kg
Electrical variant	Thermal protection, capacitor and float

* cable and fixing system excluded



better together

Data sheet

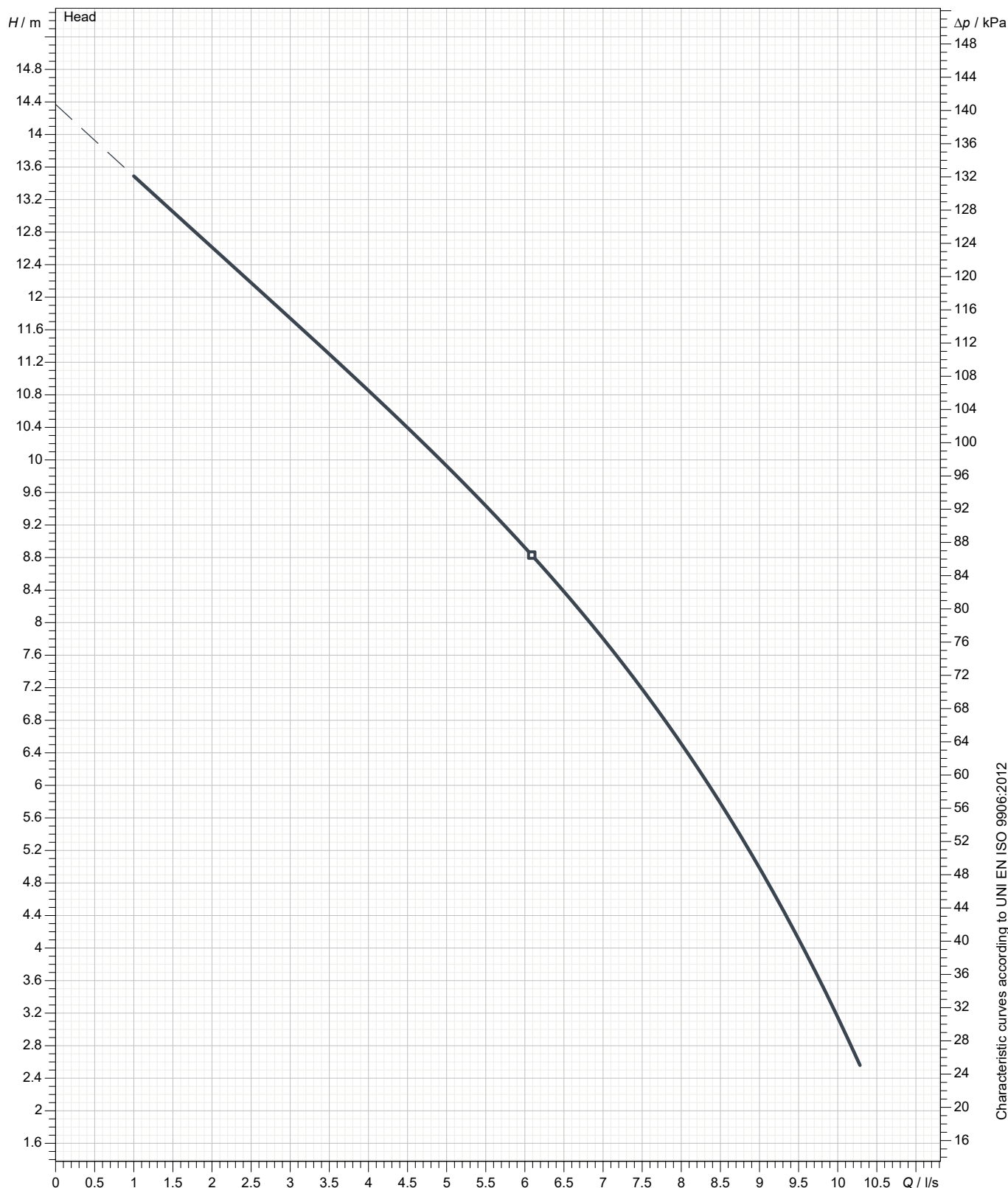
DR BluePRO 150/2/G50V A1CM5

blue
PROFESSIONAL
series

Pump performance curves

1~ 50 Hz

Hydraulic type DR (Multi-channel open)		Impeller type Open channel impeller		Free passage 30 x 10 mm		Discharge G 2"		Suction -		
DUTY POINT										
Flow		Head		Shaft power P2		Hydraulic efficiency		Density 998.3 kg/m ³		Viscosity 1.005 mm ² /s



Characteristic curves according to UNI EN ISO 9906:2012
 P2 < 10kW: paragraph 4.4.2
 10kW < P2 < 100kW: Grade 3B
 P2 > 100kW: Grade 2B



better together

Data sheet

DR BluePRO 150/2/G50V A1CM5

blue
PROFESSIONAL
series

Dimensional drawing

1~ 50 Hz

Installation type Installation with bottom coupling device - Vertical outlet + GTP

WET/DRY use: WET

Discharge: G 2" -

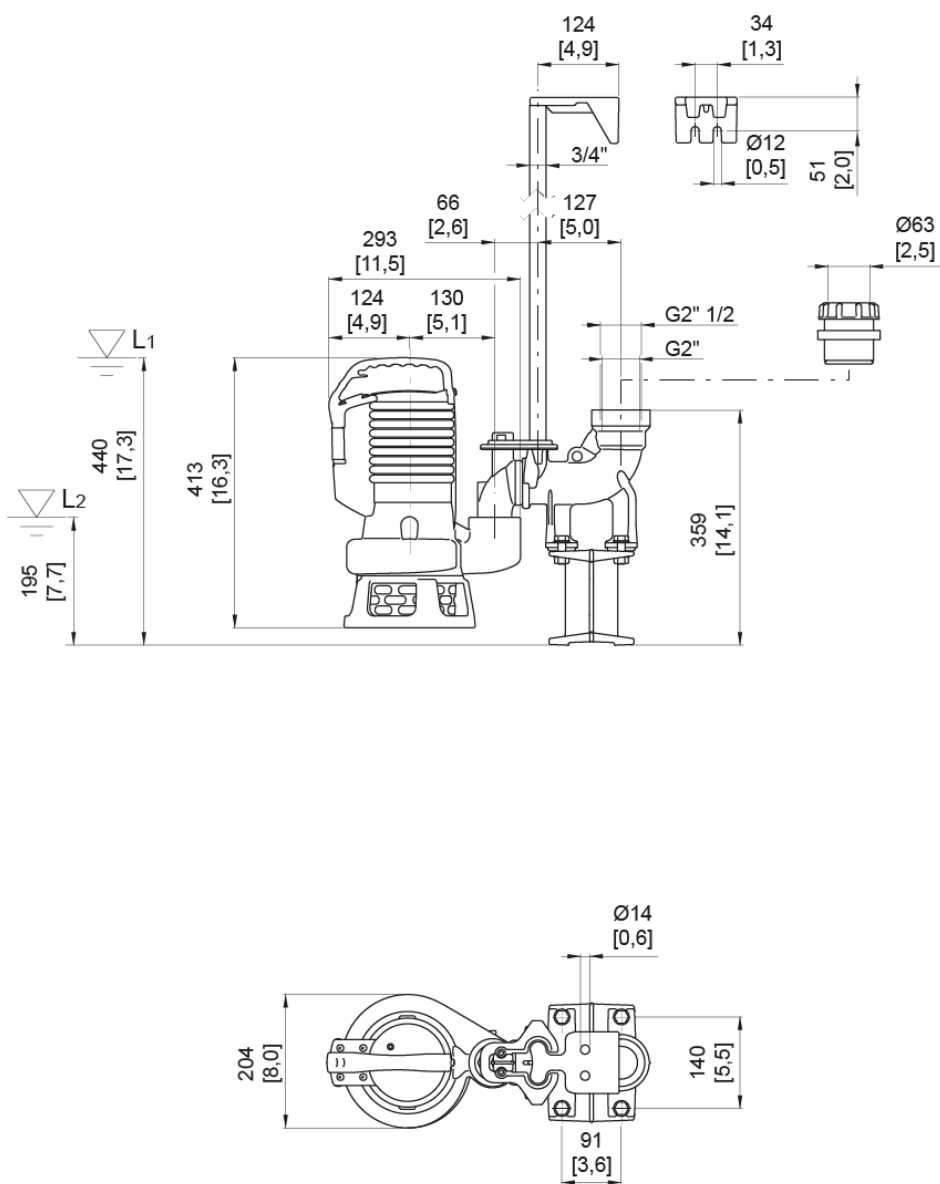
Suction: -

Pressure rating (suction/discharge): -

Accessory * : DAC G50V/G50V-G65V 3/4"+GTP (P)

Accessory code * : 9028.007

* Accessory must be ordered separately



L1: Minimum operating level for continuous use
L2: Minimum operating level for discontinuous use

[mm]
[inch]