



better together

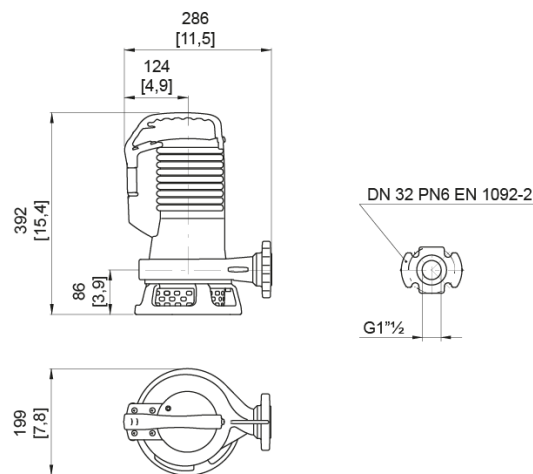
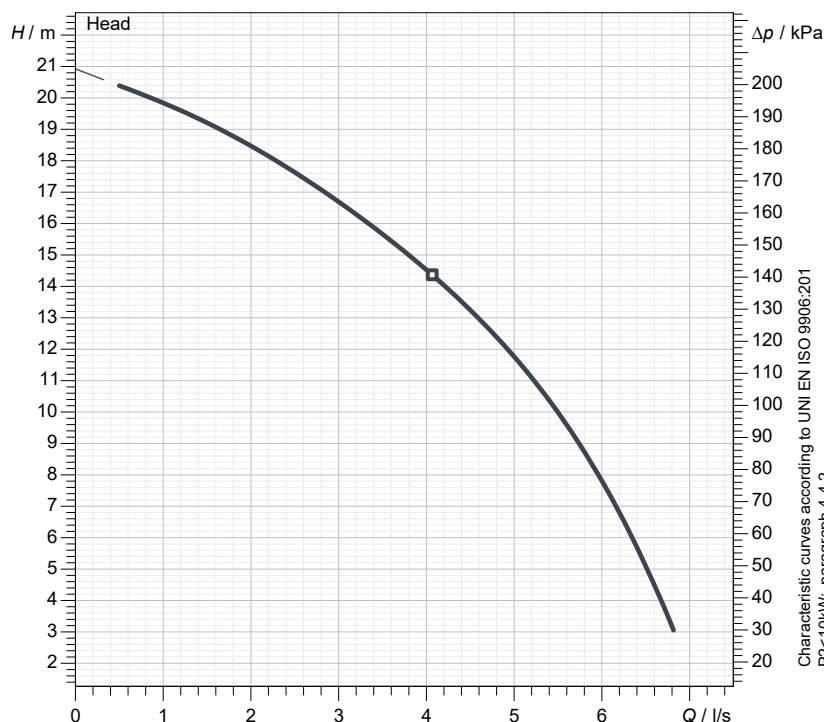
Data sheet

AP BluePRO 150/2/G40H A1CM5

blue
PROFESSIONAL
series

Technical specification

1~ 50 Hz

[mm]
[inch]**Pump**

Series	BluePRO series
Pump name	AP BluePRO 150/2/G40H A1CM5
Configuration	NGTCB51H23N00CX
Standard	IEC 60079-0, IEC 60079-15
IECEx mark	Ex nA nC IIC T3 Gc

Operating limits (standard pumps)

Max. ambient temperature	40 °C
Max. density treated liquid	1100 kg/m ³
pH treated liquid	6 ÷ 14
Max. start per hour (equally distributed)	30
Wet/dry use	WET
Max. acoustic pressure level	70 dB
Operating mode	S1 - Continuous use

Motor data

Rated voltage	230 V
Frequency	50 Hz
Motor phases	1~
Number of poles	2
Rated power P2	1.10 kW
Incoming power P1	1.64 kW
Rated current	7.50 A
rpm	2900 1/min
cos φ	0.95
Rated torque	3.6 Nm
Start	
Degree of protection	IP 68
Insulation class	F

Construction materials

Case	Cast iron EN-GJL 250
Shaft	Stainless steel AISI 431
Hydraulic	Cast iron - EN-GJL 250
Impeller	Cast iron - EN-GJL 250
Painting/Coating	Bi-epoxy 120 μm
Screws	Stainless steel - Class A2-70
Gaskets	NBR
Foot base (if present)	Cast iron - EN-GJS 600
Strainer	Polypropylene

Hydraulic

Type	AP (High head impeller)
Free passage	6 mm
Impeller type	High head impeller
Suction	-
Discharge	DN 32 - G 1 1/2 EN 1092-2
Curve tolerance	UNI EN ISO 9906:2012

Construction features

Main cable	3G1
Control cable	-
Cable length	10 mt - Shuko plug
Mechanical seals	2 in silicon carbide (2SiC)
Additional drilling	-
Weight*	24 kg
Electrical variant	Thermal protection and capacitor

* cable and fixing system excluded



better together

Data sheet

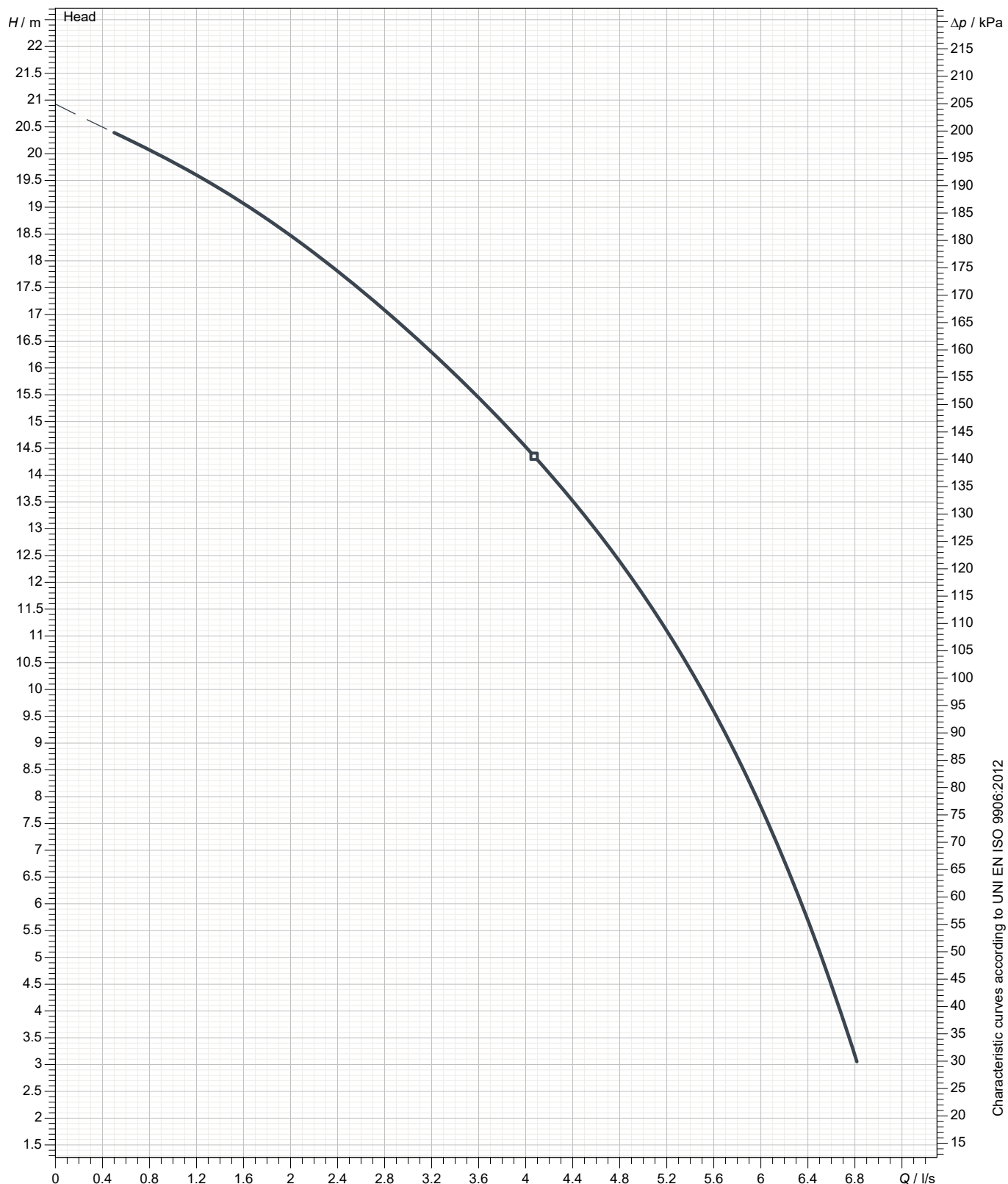
AP BluePRO 150/2/G40H A1CM5

blue
PROFESSIONAL
series

Pump performance curves

1~ 50 Hz

Hydraulic type AP (High head impeller)		Impeller type High head impeller		Free passage 6 mm	Discharge DN 32 - G 1"1/2	Suction -
DUTY POINT						
Flow	Head	Shaft power P2	Hydraulic efficiency	Density 998.3 kg/m ³	Viscosity 1.005 mm ² /s	



Characteristic curves according to UNI EN ISO 9906:2012
 P2 < 10kW: paragraph 4.4.2
 10kW < P2 < 100kW: Grade 3B
 P2 > 100kW: Grade 2B



better together

Data sheet

AP BluePRO 150/2/G40H A1CM5

blue
PROFESSIONAL
series

Dimensional drawing

1~ 50 Hz

Installation type Installation with bottom coupling device - Horizontal/vertical outlet

WET/DRY use: WET

Discharge: DN 32 - G 1 1/2 EN 1092-2

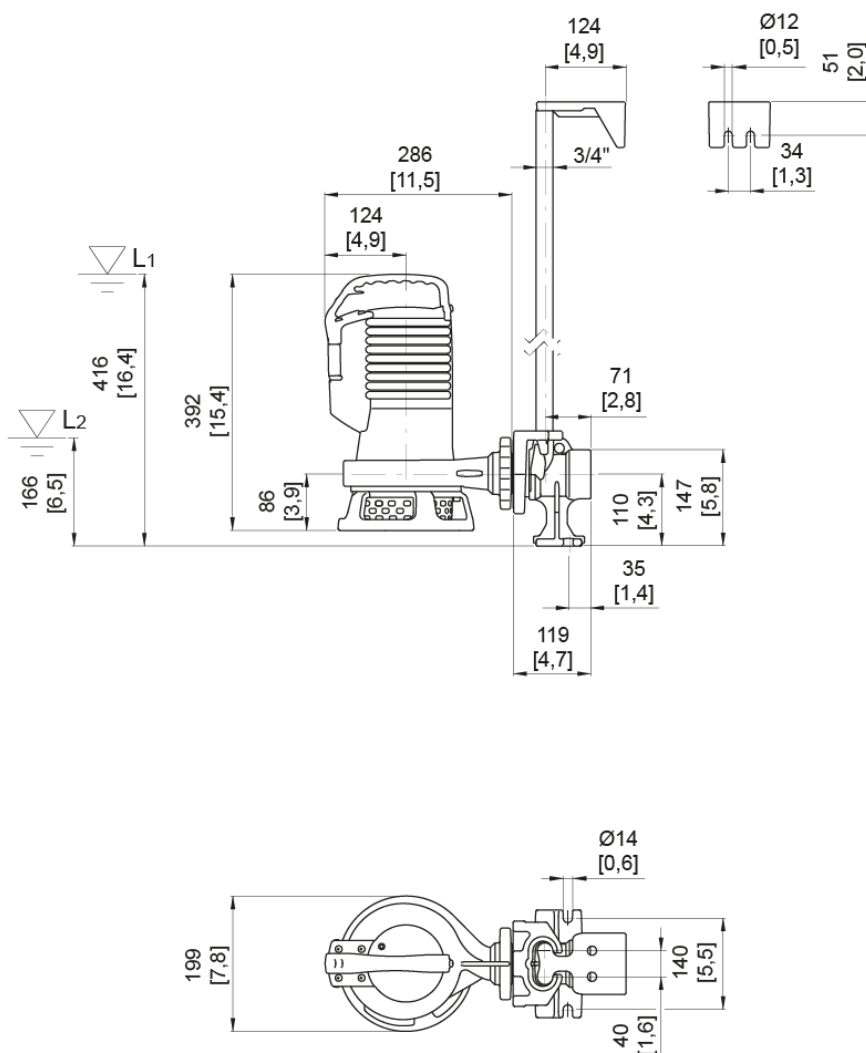
Suction: -

Pressure rating (suction/discharge): PN 6

Accessory * : DAC 32-50/G50H-G50V+KAF 3/4" EN (P)

Accessory code * : 9028.010

* Accessory must be ordered separately



L1: Minimum operating level for continuous use

L2: Minimum operating level for discontinuous use

[mm]
[inch]

All data shown are not binding. Zenit reserves the right to change data and dimensions without notice.

zenit.com

Created on 2020-09-01

Page 3 / 3