



DATA SHEET

DAB PUMPS S.p.A.
Via Marco Polo, 14 - 35035 Mestrino (PD), Italy
Tel. +39 049 5125000 - Fax +39 049 5125950
www.dabpumps.com

2013-07-19

Page 1 / 3

Receiver

From

Company Name
Reference
Address
Phone
Fax
E-mail

Item n° : 101110400

Pump data

Model :
KPF 30/16 M
Impeller size : 0 mm
Pressure rating : 6 bar (600 kPa)
Min. fluid temperature : -10 °C
Max. fluid temperature : 50 °C
Max. Temperature operating : 40 °C

Requested data

Flow : 0.00 m³/h
Head : 0.00 m
Fluid : Water
Fluid Temperature : 20 °C
Density : 0.9983 kg/dm³
Kinematic viscosity : 1.005 mm²/s
Vapor pressure : 2.34 kPa

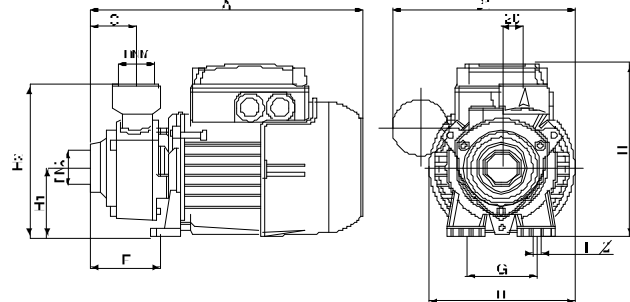
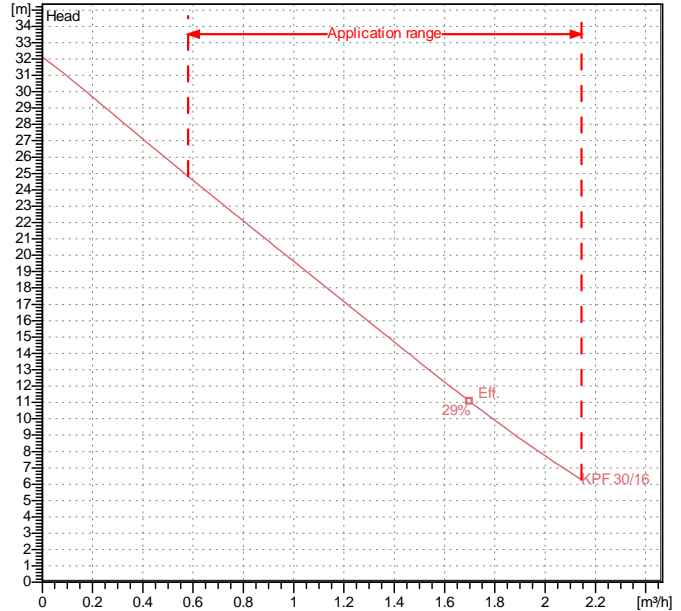
Hydraulic data (duty point)

Flow :
Head :

Materials

Pump body : Cast iron 200 UNI ISO 185
Impeller : Brass P Cu Zn40 Pb2 UNI 5705/65
Shaft with rotor : AISI 416 X12 CrS 13 UNI 6900/71
Support : Cast iron 200 UNI ISO 185
Mechanical seal : Carbon/Ceramic

Curve tolerance according to ISO 9906



Weight : 5.4 kg

Motor data

Motor brand : DAB
Nominal power P2: 0.37 kW
Rated speed: 2800 1/min
Rated voltage : 1~ 50 Hz
Nominal current :
Degree of protection : IP 44

Dimensions in mm

A	247	∅	8
B	132		
B1	165		
C	42		
DNA	1" G		
DNM	1" G		
E	64		
G	65		
H	158		
H1	63		
H2	138		

Pump connection

Suction side : 1" G / 6 bar (600 kPa)
Discharge side : 1" G / 6 bar (600 kPa)



PERFORMANCE CURVES

2013-07-19

DAB PUMPS S.p.A.
Via Marco Polo, 14 - 35035 Mestrino (PD), Italy
Tel. +39 049 5125000 - Fax +39 049 5125950
www.dabpumps.com

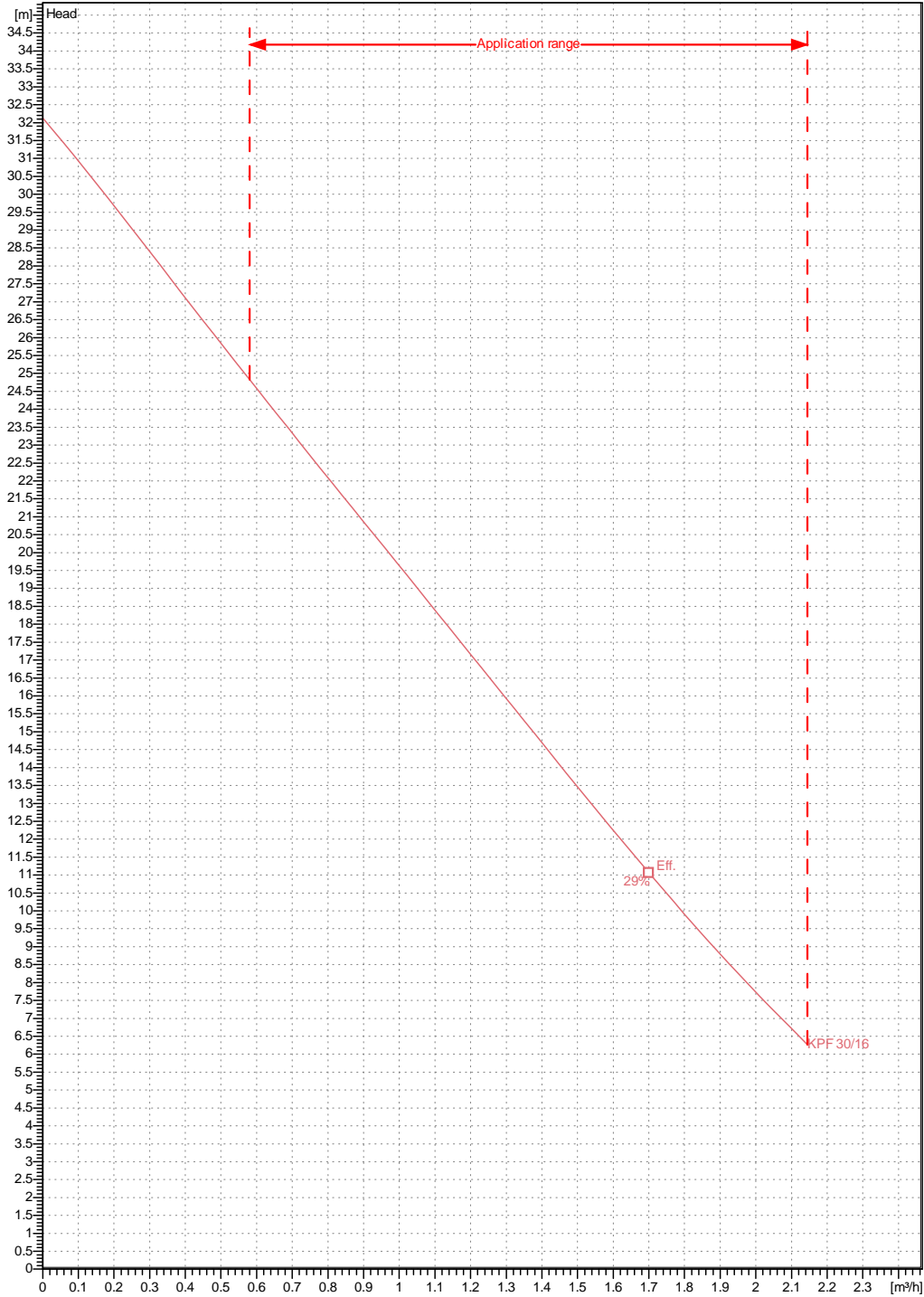
Receiver

From

Company Name
Reference
Address
Phone
Fax
E-mail

KPF 30/16 M

Curve tolerance according to ISO 9906



Hydraulic data (duty point)

Suction side 1" G 6 bar (600 kPa)	Discharge side 1" G 6 bar (600 kPa)	Flow : 0 m³/h	Head : 0 m	Rated speed: 2800 1/min
Project	Project ID	Created by	Created on 2013-07-19	

