

Receiver

 Society
 Reference
 Address
 Phone
 Fax
 E-mail

From

 -
 -
 -

Item n° :

60146064

Model :

K 55/200 T IE2

Pump data

MEI ≥ 0,70

Pressure rating : 8 bar (800 kPa)

Min. fluid temperature : -15 °C

Max. fluid temperature : 110 °C

Max. Ambient temperature : 40 °C

Requested data

Flow : 0.00 l/min

Head : 0.00 m

Fluid : Water

Fluid Temperature : 20 °C

Density : 62.315 lb/ft³

Kinematic viscosity : 1.0769E-5 ft²/s

Vapor pressure : 2.20 kPa

Hydraulic data (duty point)

Flow :

Head :

NPSH :

Shaft power P2 :

Efficiency :

Materials

Pump body Cast iron 200 UNI ISO 185

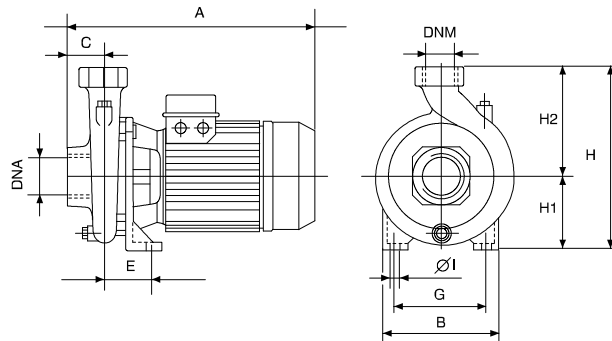
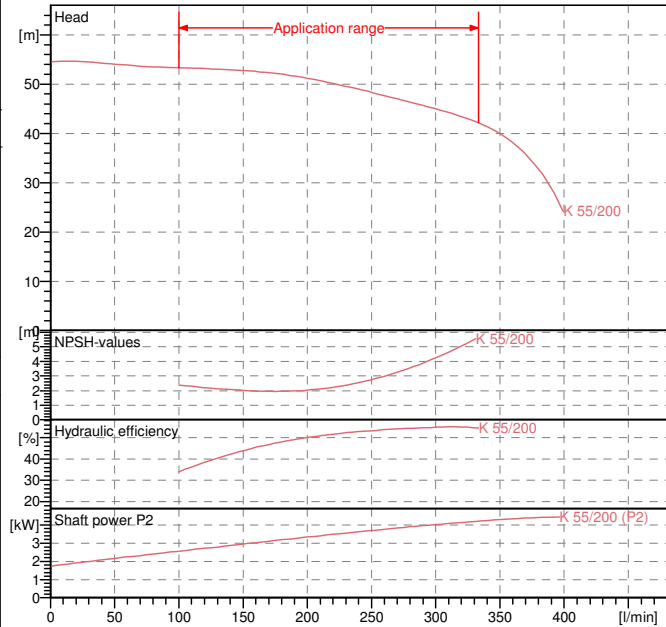
Support Cast iron 200 UNI ISO 185

Impeller Technopolymer B

Mechanical seal Carbon/Ceramic

OR ring EPDM Rubber

Shaft with rotor AISI 303 X10 CrNiS 1809 UNI 6900/71

Curve tolerance according to ISO 9906

Weight : 85.979 lb

Motor data

Motor brand : DAB

Nominal power P2 : 4 kW

Rated speed : 2880 rpm

Rated voltage : 3~ 230 V / 400 V 50 Hz

Nominal current : 16.3 / 9.4 A

Degree of protection : IP 55

Dimensions in mm

A	425
B	250
C	55
DNA	2" G
DNM	1 1/4" G
E	86
G	175
H	320
H1	135
H2	185
IØ	14

Pump connection

Suction side : 2" G / 8 bar (800 kPa)

Discharge side : 1" 1/4 G / 8 bar (800 kPa)



PERFORMANCE CURVES

2020-07-13

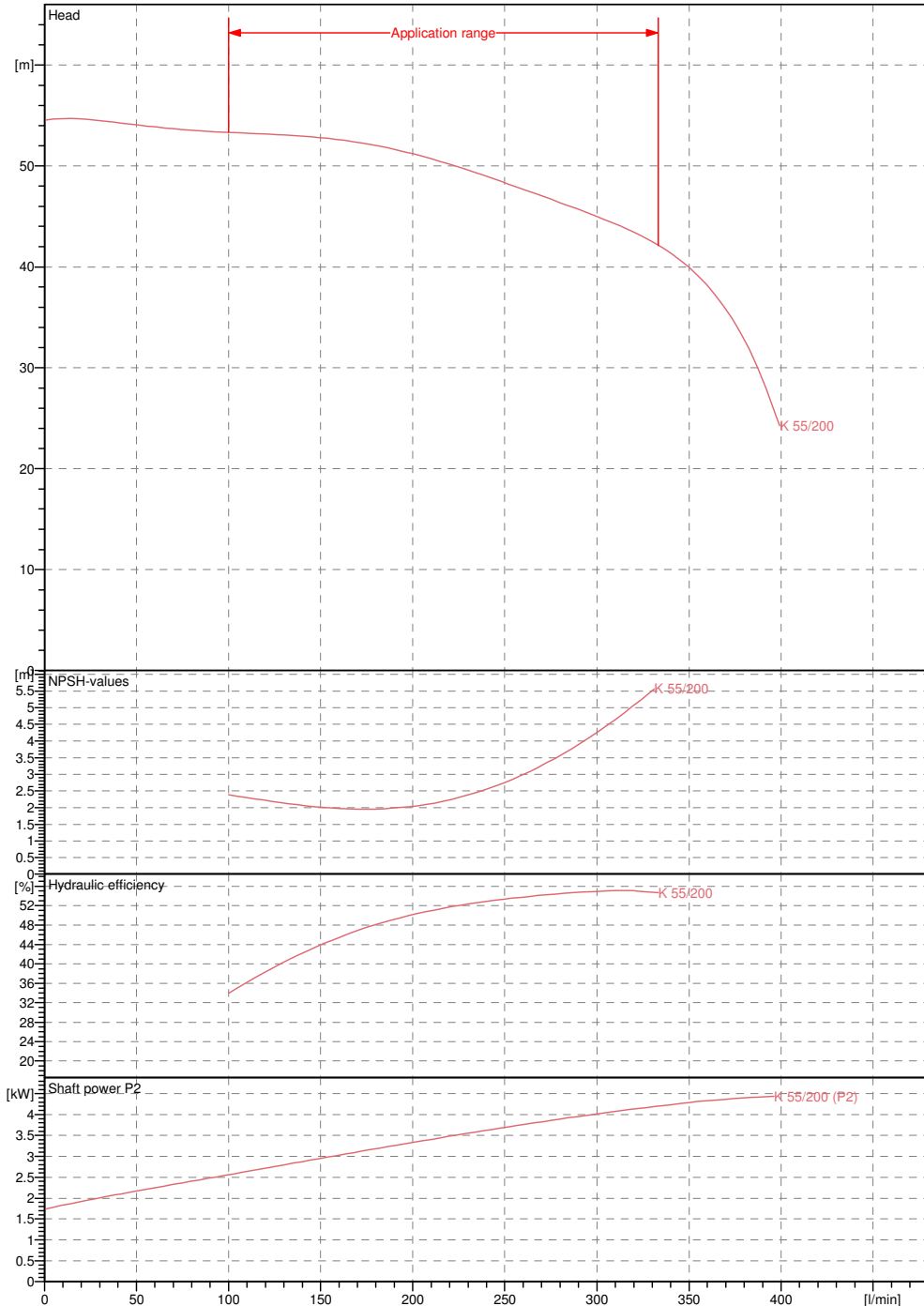
Page 4 / 5

DAB PUMPS S.p.A.
Via Marco Polo, 14 - 35035 Mestrino (PD), Italy
Tel. +39 049 5125000 - Fax +39 049 5125950
www.dabpumps.com

	Receiver	From
Society	-	-
Reference	-	-
Address	-	-
Phone		
Fax		
E-mail		

K 55/200 T IE2

Curve tolerance according to ISO 9906



Hydraulic data (duty point)

Suction side : 2" G 8 bar (800 kPa)	Discharge side : 1" 1/4 G 8 bar (800 kPa)	Flow : 0 l/min	Head : 0 m	Rated speed : 2880 rpm
Project	Project ID	Created by	Created on 2020-07-13	



WATER • TECHNOLOGY

DIMENSIONAL DRAWING

2020-07-13

Page 5 / 5

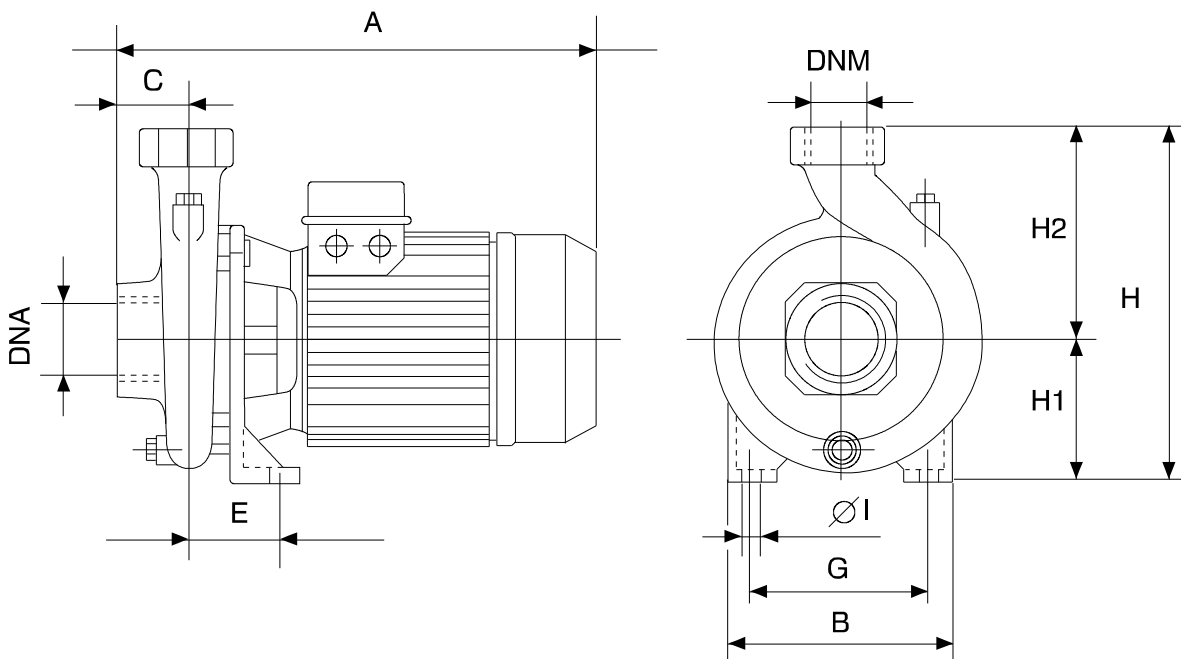
DAB PUMPS S.p.A.
Via Marco Polo, 14 - 35035 Mestrino (PD), Italy
Tel. +39 049 5125000 - Fax +39 049 5125950
www.dabpumps.com

Receiver

From

Society
Reference
Address
Phone
Fax
E-mail

K 55/200 T IE2



Dimensions in mm

1	A	425	∅	14		
2	B	250				
3	C	55				
4	DNA	2" G				
5	DNM	1 1/4" G				
6	E	86				
7	G	175				
8	H	320				
9	H1	135				
10	H2	185				

Pump connection

Suction
2" G
8 bar (800 kPa)

Discharge
1" 1/4 G
8 bar (800 kPa)

Project

Project ID

Created by

Created on

2020-07-13