

PRODUCT DATA SHEET

DAB-200T • 701400



PRODUCT DETAILS

The DAB 200T is a robust, single impeller, self-priming, surface mounted, jet type pump suitable for pumping water with low levels of sandy impurities. The internal jet and venturi provide excellent suction capability of up to 8m even when the water is lightly aerated.

APPLICATIONS

- Situations where self priming operation is necessary
- Supplying water to domestic installations
- Ideal for use in small-scale agriculture or horticulture
- Pressure boosting, irrigation, wash down or other limited industrial services
- Designed for pumping from tanks, rivers and dams where air bubbles or small particles of sand are present

FEATURES

- Self priming centrifugal pump with excellent suction capability
- Three phase TEFC motor with in-built auto reset thermal overload to prevent pump from damage

To protect the pump from excessive cycling and to isolate from the effects of water hammer, adding a pressure tank to the system is highly recommended

BRAND

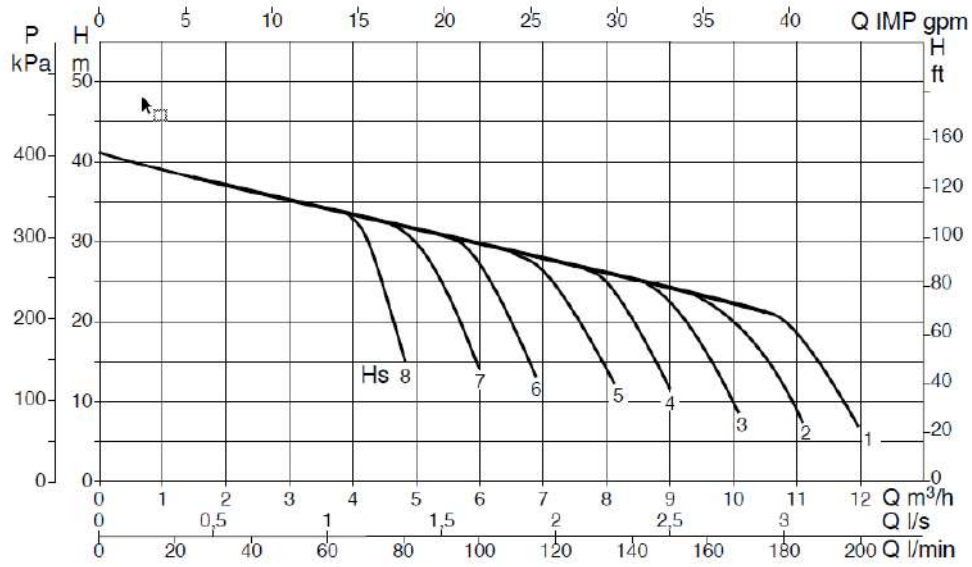
DAB
WATER • TECHNOLOGY

TECHNICAL DATA

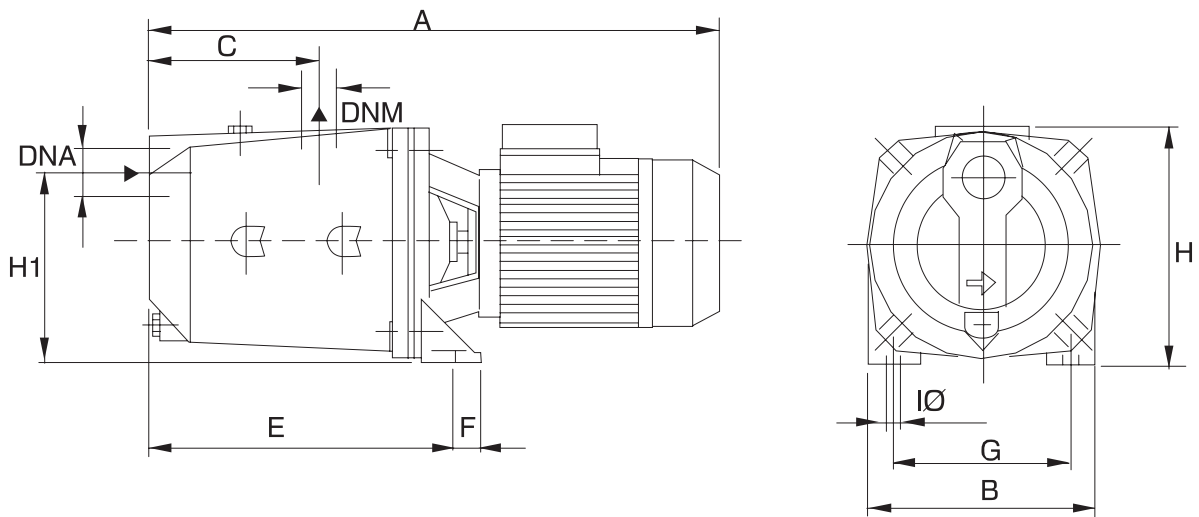
RATED POWER (P2)	1.5 (2hp)
MAX. FLOW [LPM]	185 LPM
MAX. HEAD [M]	41m
MAX. PRESSURE RATING	8 bar
FLUID TEMP RANGE	0 - 35 deg C
MAX. AMBIENT TEMP	40 deg C
PUMP BODY	GJL 200 Cast Iron
IMPELLER	Glass reinforced Noryl
JET, VENTURI, DIFFUSER	Glass reinforced Noryl
MECHANICAL SEAL	Carbon Ceramic Nitrile
O RINGS	Nitrile

RATED VOLTAGE (V)	3~ 230 / 400V 50 hz
RATED CURRENT (A)	6.8A / 3.9A
RATED SPEED (RPM)	2800 - 2 pole
IP RATING	I.P. 44
SUCTION CONNECTION	1 1/2" G (BSP)
DISCHARGE CONNECTION	1 1/4" G (BSP)
AUTOMATIC OPERATION	No - bare pump only
MOTOR PROTECTION	Auto re-setting thermal overload
CARTON DIMENSIONS	612mm L x 248mm W x 279mm H
GROSS WEIGHT (KG)	27kg

CURVE



DIMENSIONS



MODEL	A	B	C	E	F	G	I Ø	H	H1	DNA GAS	DNM GAS
JET 200 T	521	214	151	282	20	160	11	227	175	1½"	1¼"

WARRANTY / CERTIFICATIONS

